

Model K-P2
(G073/G074)
PARTS CATALOG

First edition, December 2001

Ricoh Company, LTD.

Model K-P2 (G073/G074)

Model K-P2 (G073/G074)

PARTS CATALOG

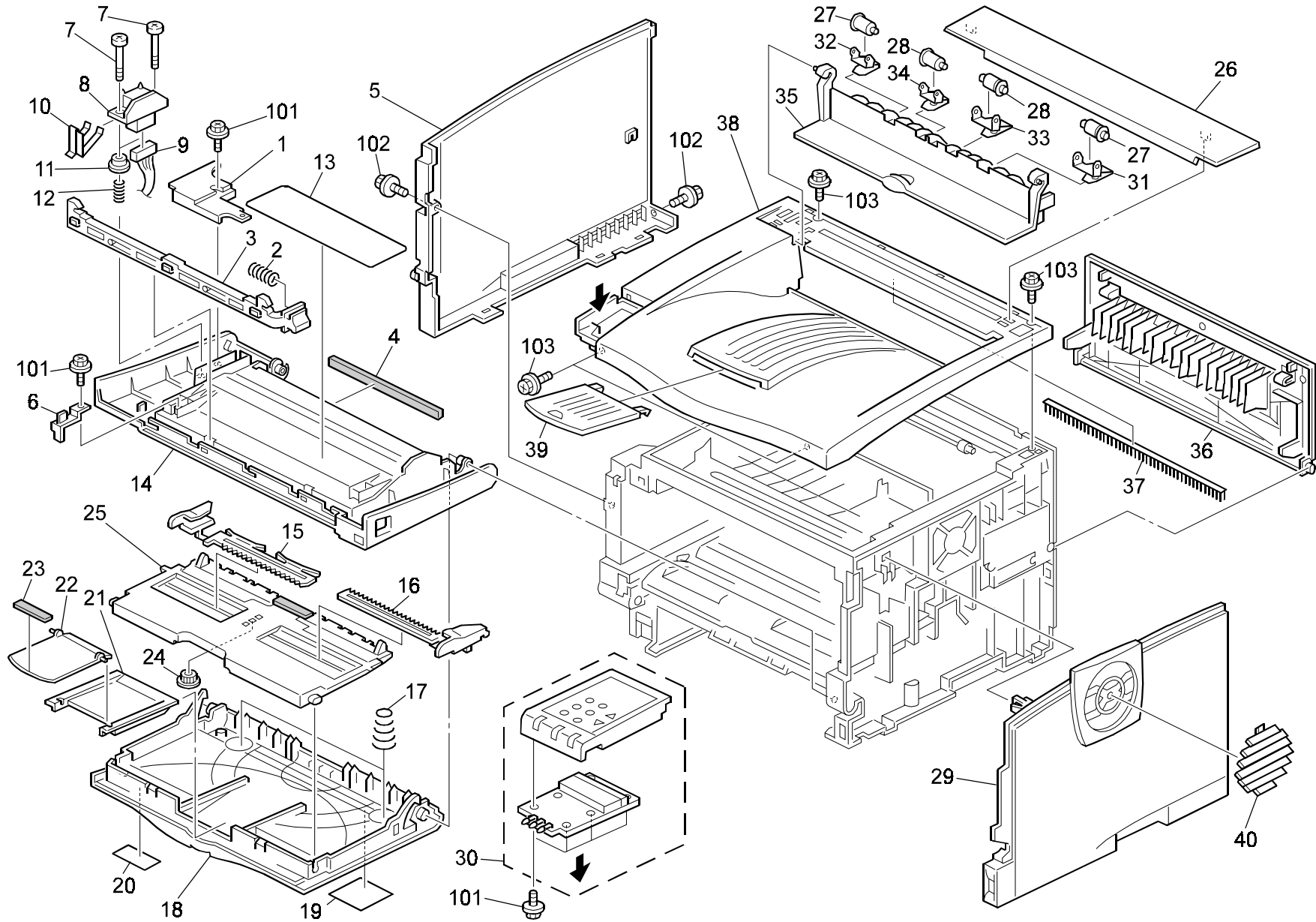
This catalog gives the numbers and names of parts on this machine.

CONTENTS

1.EXTERIOR (G073/G074)	2
2.LD UNIT (G073/G074).....	4
3.PAPER REGISTRATION 1 (G073/G074)	6
4.PAPER REGISTRATION 2 (G073/G074)	8
5.TRANSPORT GUIDE 1 (G073/G074).....	10
6.TRANSPORT GUIDE 2 (G073/G074).....	12
7.CASSETTE (G073/G074).....	14
8.FUSING UNIT 1 (G073/G074).....	16
9.FUSING UNIT 2 (G073/G074).....	18
10.PAPER FEED DRIVE (G073/G074).....	20
11.ELECTRICAL SECTION 1 (G073/G074)	22
12.ELECTRICAL SECTION 2 (G073/G074)	24
13.CONTROLLER BOARD (G073)	26
14.CONTROLLER BOARD (G074)	30
15.ENGIN BOARD (G073/G074).....	34
16.DECAL AND DOCUMENT (G073/G074)	38
PARTS INDEX.....	41

December ,28 ' 2001

1.EXTERIOR (G073/G074)



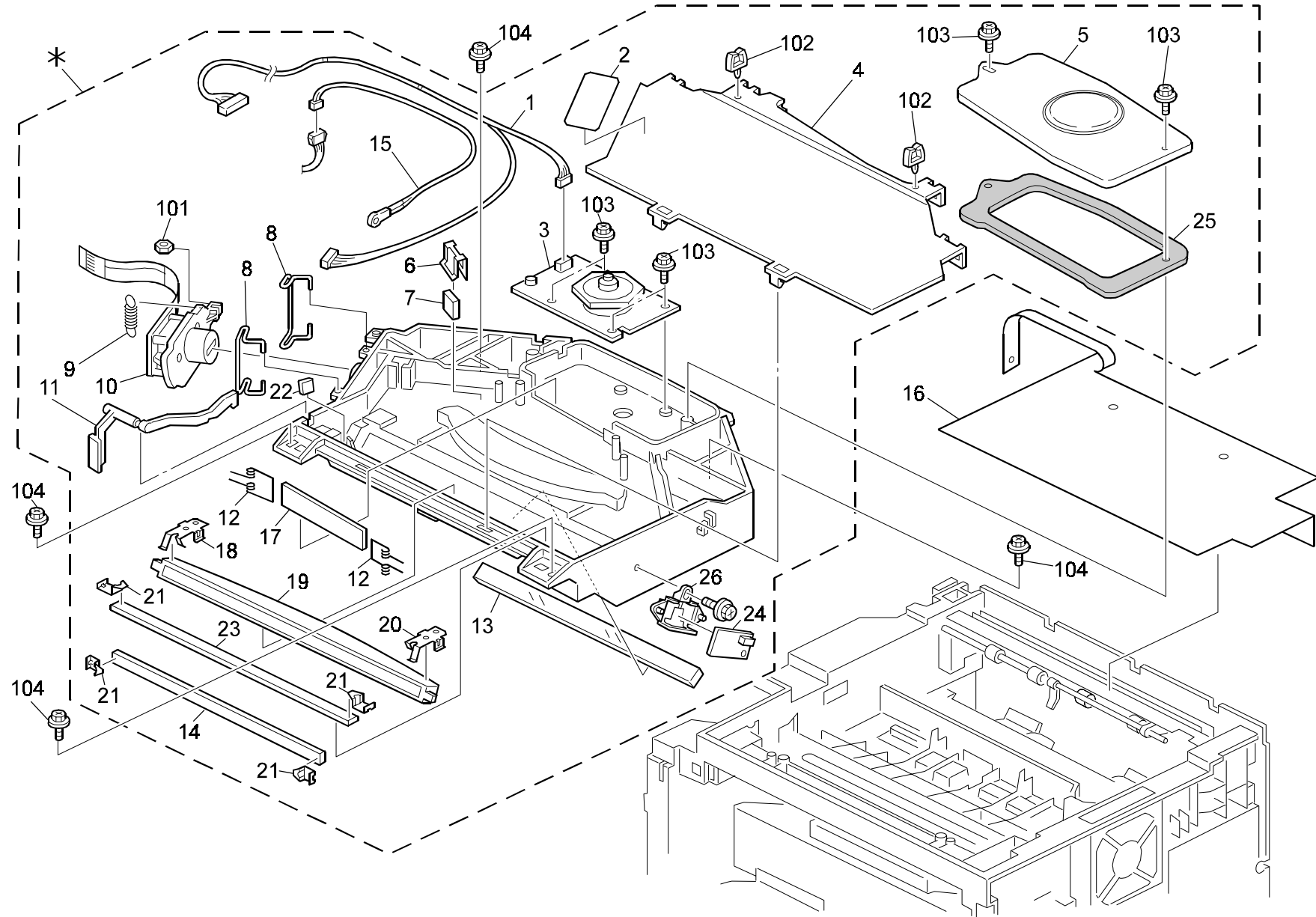
1.EXTERIOR (G073/G074)

Index No.	Part No.	Description	Q'ty Per Assembly
1	G052 1545	Harness Cover	1
2	G052 1518	Spring - Lock Lever	1
3	G052 1516	Lock Lever	1
4	G052 3356	Sheet - Soundproof	1
5	G052 1564	Left Cover	1
6	G052 1517	LD Shutter Feeler	1
7	G052 1543	Step Screw	2
8	G052 5362	Receptacle - 99RH144	1
9	G052 5425	Harness - Cartridge	1
10	G052 1544	Spring Plate - Receptacle	1
11	G052 1542	Collar - Receptacle	2
12	G052 1541	Spring - Receptacle	2
13	G052 1551	Decal - Paper Jam	1
14	G052 1566	Front Cover	1
15	G052 3277	Left Side Fence - Bypass	1
16	G052 3276	Right Side Fence - Bypass	1
17	G052 3278	Spring - Bypass	2
18	G052 3272	Bypass Front Cover - US	1
18	G056 3271	Bypass Front Cover - Europe/Asia	1
19	G056 2381	Decal - Energy Star/Postscript	1
20	G073 2371	Model Name Plate - G073 RIC US	1
20	G073 2372	Model Name Plate - G073 RIC EUR/Asia	1
20	G073 2373	Model Name Plate - G073 Savin	1
20	G073 2374	Model Name Plate - G073 Gestetner	1
20	G073 2375	Model Name Plate - G073 Nashuatec	1
20	G073 2376	Model Name Plate - G073 Rexrotary	1
20	G074 2370	Model Name Plate - G074 RIC USA	1
20	G074 2371	Model Name Plate - G074 RIC EUR/Asia	1
20	G074 2372	Model Name Plate - G074 Savin	1
20	G074 2373	Model Name Plate - G074 Gestetner	1
20	G074 2374	Model Name Plate - G074 Nashuatec	1
20	G074 2375	Model Name Plate - G074 Rexrotary	1
21	G029 2705	Extention Tray	1
22	G052 3341	Sub Tray	1
23	G029 2708	Pad	1



Index No.	Part No.	Description	Q'ty Per Assembly
24	G800 3133	Side Fence Gear	1
25	G052 3273	Bottom Plate - Bypass	1
26	G052 1503	Top Cover	1
27	G052 4873	Outer Exit Cover Roller	2
28	G052 4875	Inner Exit Cover Roller	2
29	G075 1650	Right Cover	1
30	G069 1930	Operation Panel - US	1
30	G069 1940	Operation Panel - EUR/Asia	1
31	G052 4872	Right Holder - Exit Driven Roller	1
32	G052 4871	Left Holder - Exit Driven Roller	1
33	G052 4877	Right Spring Plate	1
34	G052 4876	Left Spring Plate	1
35	G052 1505	Paper Exit Cover	1
36	G052 1563	Rear Cover	1
37	G052 4886	Discharge Brush - Paper Exit	1
38	G075 1652	Upper Cover	1
39	G052 1504	Paper Tray Extension	1
40	G075 1651	Louver	1
101	0450 3008B	Tapping Screw - M3x8	
102	0451 3006H	Tapping Screw - 3x6	
103	0450 4010B	Tapping Screw - 4x10	

2.LD UNIT (G073/G074)

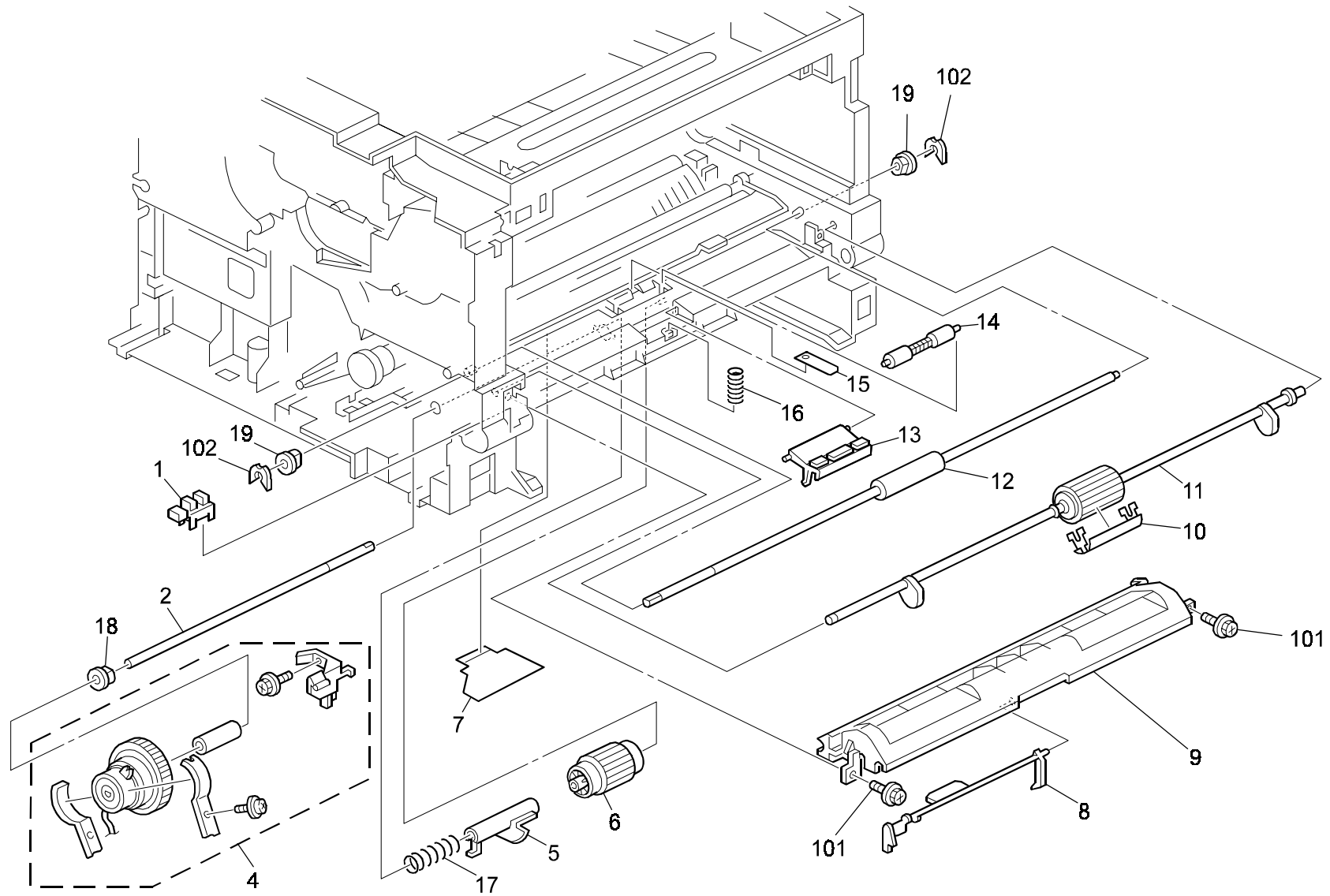


2.LD UNIT (G073/G074)

Index No.	Part No.	Description	Q'ty Per Assembly
*	G052 2702	Laser Unit Ass'y	1
1	G052 5403	Harness - LD Unit	1
2	G029 1980	Decal - LD	1
3	G052 2770	Polygon Mirror Motor	1
4	G052 2796	Cover:optical Housing	1
5	G052 2788	Polygon Motor Cover	1
6	G052 2773	Cylindrical Lens Holder	1
7	G029 1975	Cylindrical Lens	1
8	G052 2763	LD Holder	2
9	G052 2764	Spring - LD Unit	1
10	G052 2760	LD Unit	1
11	G052 2780	Shutter - LD	1
12	G052 2777	Spring Holder - Shield Glass	2
13	GC01 5006	Shield Glass	1
14	GC03 0026	Mirror - 1	1
15	G052 3543	Thermistor - 103AT-2 15W	1
16	G052 1217	Shielding Plate - EUR/Asia	1
17	GC01 5005	Shield Glass - Polygon Motor	1
18	G052 2771	Right DTL Holder	1
19	GC02 5010	DTL	1
20	G052 2772	Left DTL Holder	1
21	G052 2774	Mirror Clamp	4
22	GC03 0028	Mirror - Sync Detector	1
23	GC03 0027	Mirror - 2	1
24	G052 5060	Synchronization Detector	1
25	G052 2789	Shield - Polygon Scanner	1
26	G052 2791	Sync Detector Holder	1

Index No.	Part No.	Description	Q'ty Per Assembly
101	0712 0030B	Hexagon Nut - M3	
102	1105 0229	Clamp	
103	0450 3008B	Tapping Screw - M3x8	
104	0450 3012B	Tapping Screw - 3x12	

3.PAPER REGISTRATION 1 (G073/G074)

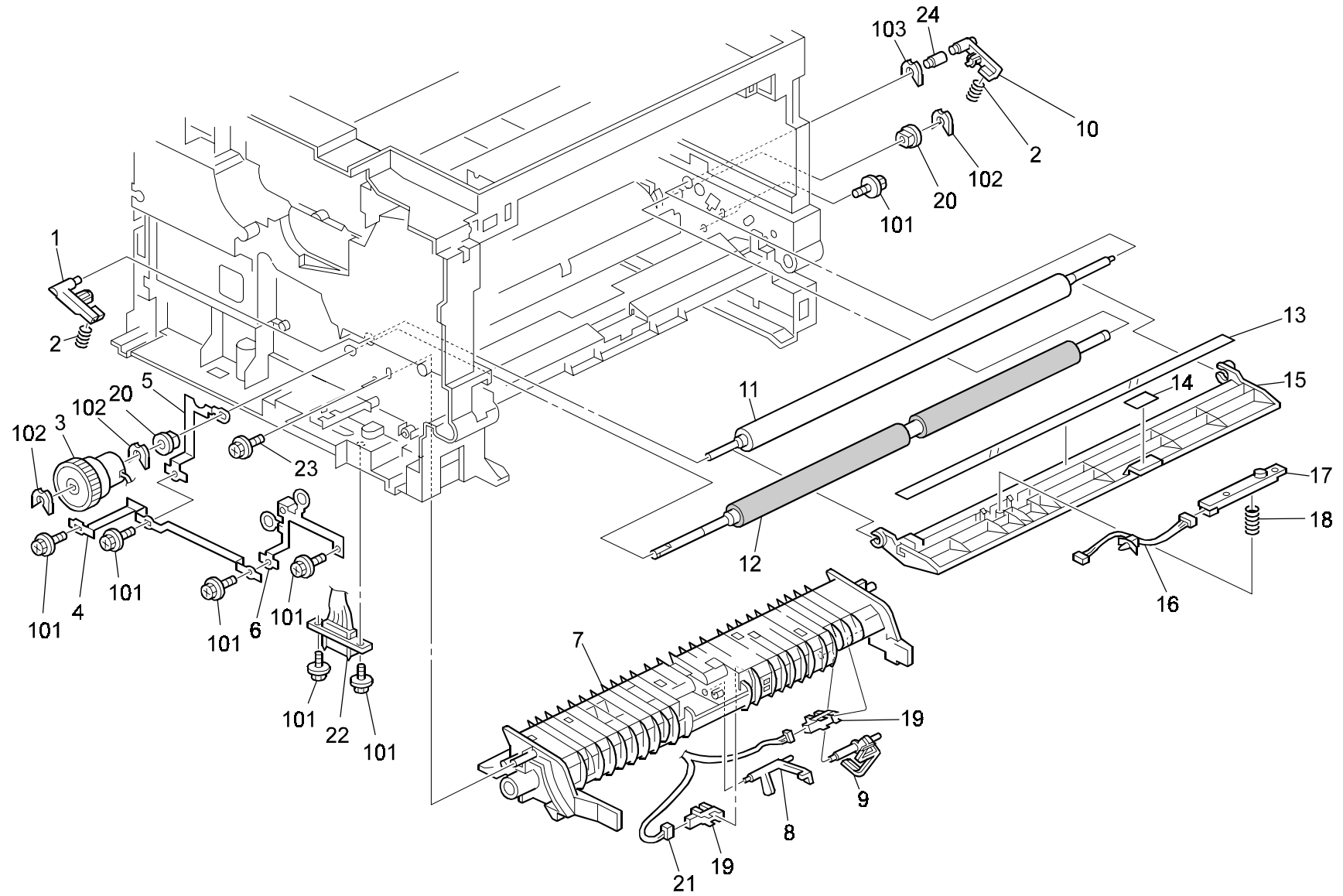


3.PAPER REGISTRATION 1 (G073/G074)

Index No.	Part No.	Description	Q'ty Per Assembly
1	AW02 0056	Photointerruptor - EE-SX4235A-P1	1
2	G052 3101	Shaft - Paper Feed	1
3	G052 3142	Right Film - Paper Feed Guide	1
4	G052 3140	Magnetic Clutch Assembly	1
5	G052 3106	Bushing - Paper Feed Roller	1
6	G052 3112	Paper Feed Roller	1
7	G052 3109	Film - Paper Feed Guide	1
8	G052 3286	Feeler - Bypass	1
9	G052 3280	Frame - Bypass Feed	1
10	G029 2767	By-pass Feed Cover	1
11	G052 3288	Bypass Feed Roller	1
12	G052 3332	Paper Transport Roller	1
13	G052 3290	Separation Pad - Bypass	1
14	G052 3303	Paper Transport Roller	1
15	G052 3304	Spring Plate - Paper Transport	1
16	G029 2757	Spring - 2.75n	1
17	G029 2657	Compression Spring	1
18	G052 3128	Bushing - Paper Feed Roller	1
19	AA08 2058	Bushing - 6x10x9mm	2

Index No.	Part No.	Description	Q'ty Per Assembly
101	0450 3010B	Tapping Screw - M3x10	
102	0805 0089	Retaining Ring - M4	
103	0451 3006B	Tapping Screw - M3x6	

4.PAPER REGISTRATION 2 (G073/G074)

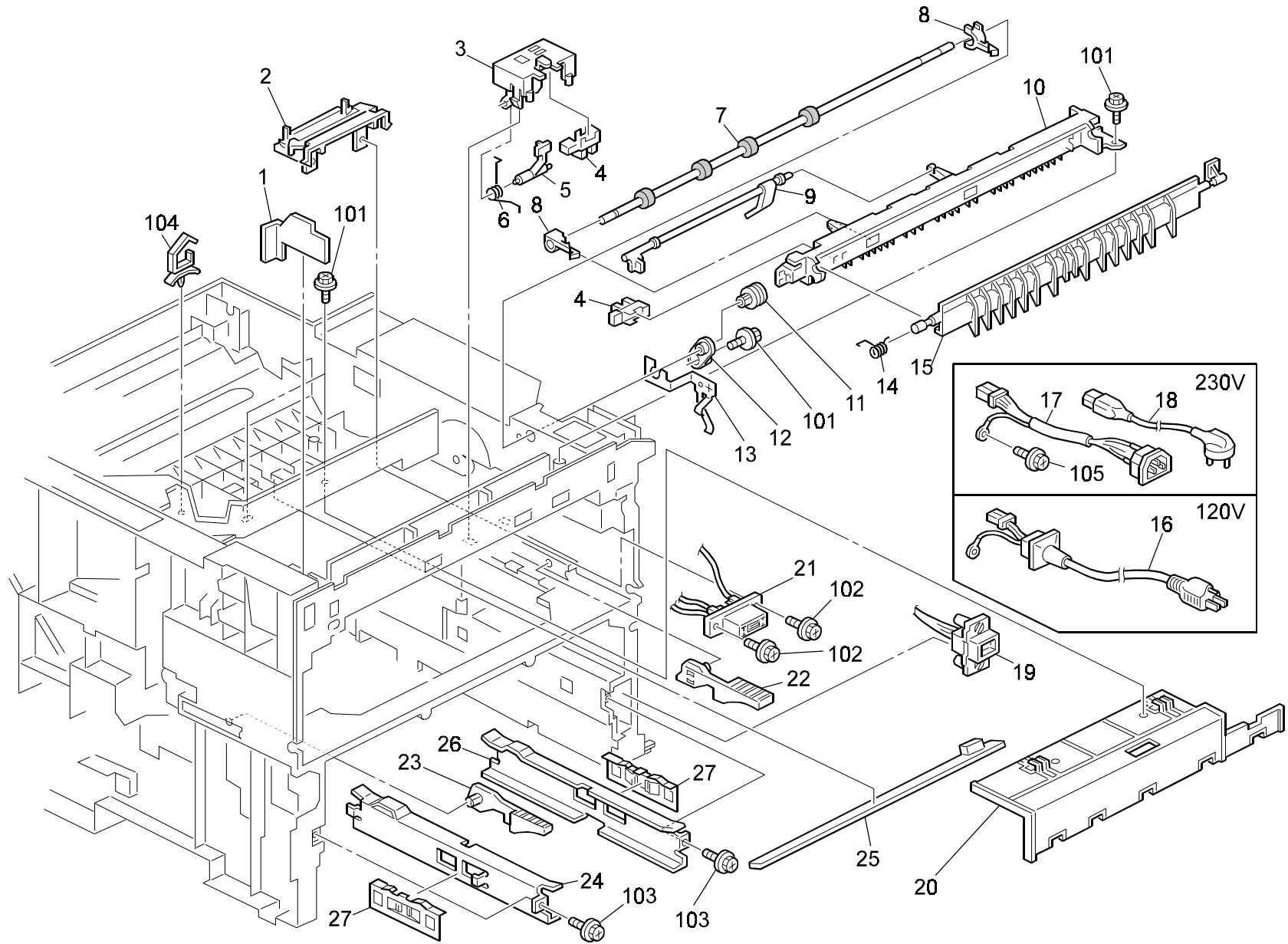


4.PAPER REGISTRATION 2 (G073/G074)

Index No.	Part No.	Description	Q'ty Per Assembly
1	G052 3258	Left Bushing - Registration	1
2	AA06 3539	Spring - Registration Roller	2
3	AX20 0208	Magnetic Clutch - Z45	1
4	G052 3337	Ground Plate - Drive	1
5	G052 3336	Ground Plate - Registration	1
6	G052 3335	Ground Plate - Paper Feed	1
7	G052 3100	Stay - Paper Feed	1
8	G052 3104	Paper End Feeler	1
9	G052 3105	Near End Feeler	1
10	G052 3257	Right Bushing - Registration	1
11	G076 3315	Driven Registration Roller	1
12	G076 3316	Registration Roller	1
13	G052 3267	Film - Registration	1
14	G052 3351	Decal - Registration	1
15	G052 3266	Upper Registration Guide	1
16	G052 5404	Interface Harness - Te Sensor	1
17	G052 3390	Toner End Sensor	1
18	G052 3396	Spring - Toner End Sensor	1
19	AW02 0119	Photointerruptor - LG-248L1	2
20	AA08 2047	Bushing - 8x16x7	2
21	G052 5400	Interface Harness - Paper Feed	1
22	G052 5412	Harness - PFU	1
23	G029 4159	Screw - M3x13	4
24	G052 3353	Shaft Bearing	1

Index No.	Part No.	Description	Q'ty Per Assembly
101	0450 3008B	Tapping Screw - M3x8	
102	0805 0088	Retaining Ring - M6	
103	0805 0100	Retaining Ring - M2.5	

5. TRANSPORT GUIDE 1 (G073/G074)

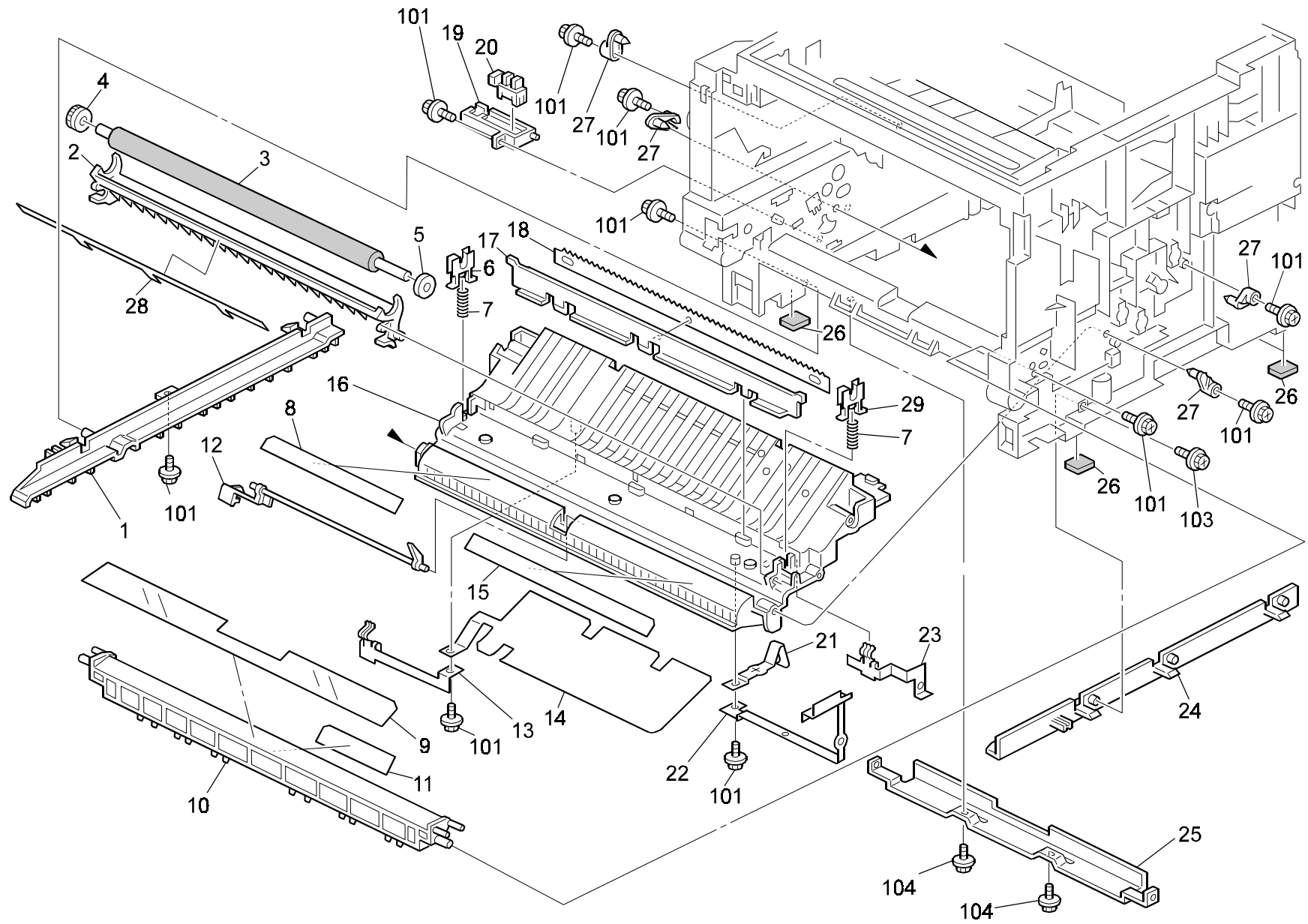


5. TRANSPORT GUIDE 1 (G073/G074)

Index No.	Part No.	Description	Q'ty Per Assembly
1	G052 1274	Micro Switch Lever	1
2	G052 1056	Fusing Drawer Bracket	1
3	G052 1044	Exit Feeler Holder	1
4	AW02 0119	Photointerruptor - LG-248L1	1
5	G052 1042	Fusing Exit Feeler	1
6	G052 1046	Spring - Fusing Exit Feeler	1
7	G052 4850	Paper Exit Roller	1
8	G052 1048	Middle Bushing - Paper Exit	2
9	G052 1043	Paper Exit Feeler	1
10	G052 1041	Paper Exit Bracket	1
11	G052 4855	Pulley - Paper Exit	1
12	G052 1049	Bushing - Paper Exit	1
13	G052 1262	Ground Plate - Upper Option	1
14	G052 1088	Gate Pawl Spring	1
15	G052 1087	Junction Gate Pawl	1
16	G076 5501	Power Cord - 120V	1
17	G076 5420	Inlet - 230V	1
18	GZ00 0003	Power Cord - 230V	1
19	G052 5414	Harness - Duplex	1
20	G052 1022	Fusing Stopper Plate	1
21	G076 5423	Fusing Harness - 120V	1
21	G076 5424	Fusing Harness - 230V	1
22	G052 4697	Left Fusing Lock Lever	1
23	G052 4696	Right Fusing Lock Lever	1
24	G076 1025	Right Duplex Rail	1
25	G052 3522	Discharge Lamp	1
26	G076 1026	Left Duplex Rail	1
27	G052 1027	Spring Plate - Duplex Rail	2

Index No.	Part No.	Description	Q'ty Per Assembly
101	0450 3008B	Tapping Screw - M3x8	
102	0450 4010B	Tapping Screw - 4x10	
103	0451 3014B	Tapping Screw - M3-14	
104	1105 0310	Harness Clamp - LWS-1S	
105	0950 4006B	Screw - M4X6	

6. TRANSPORT GUIDE 2 (G073/G074)

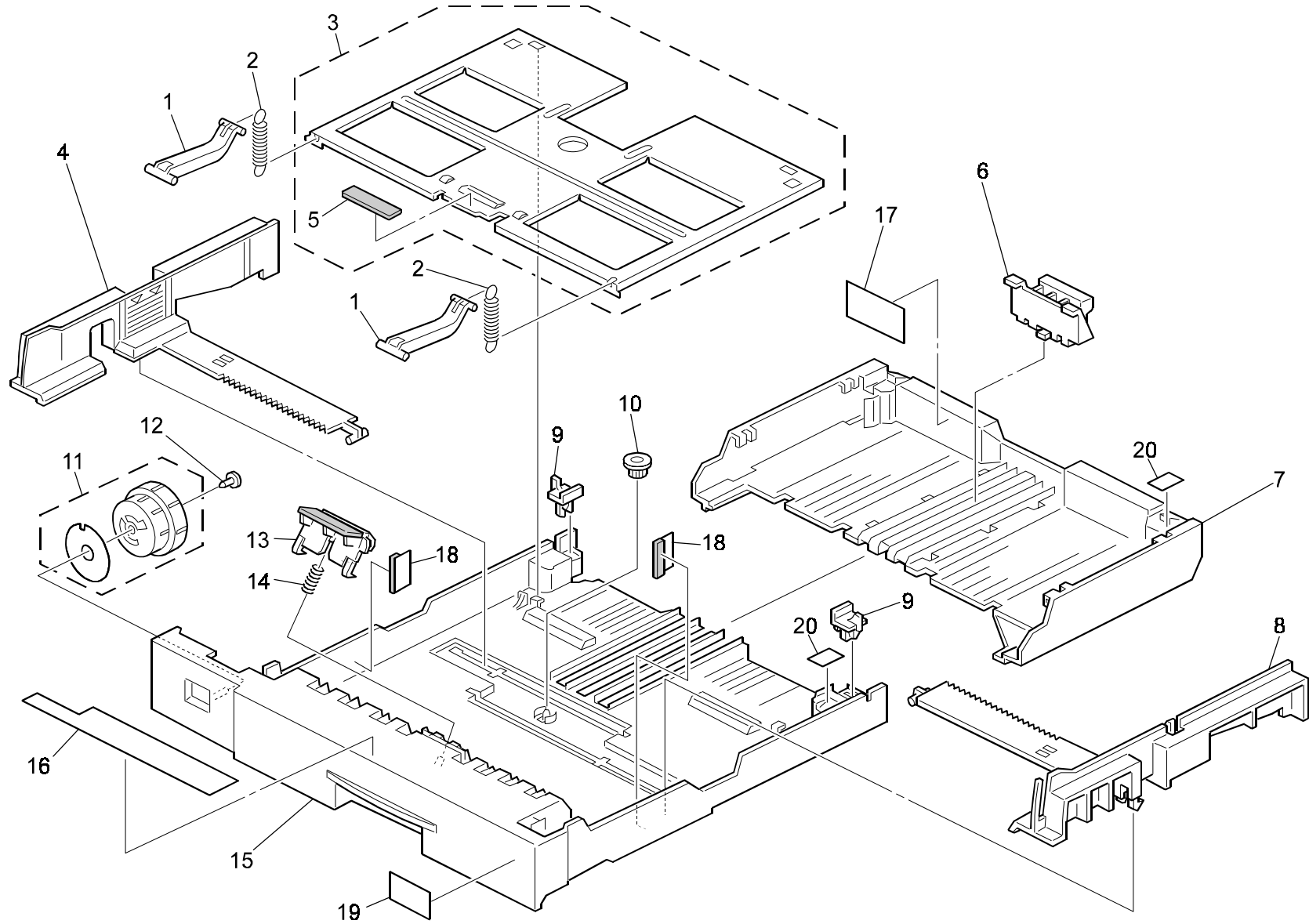


6. TRANSPORT GUIDE 2 (G073/G074)




Index No.	Part No.	Description	Q'ty Per Assembly
1	G052 3082	Left Cassette Rail	1
2	G052 3644	Transfer Roller Guide	1
3	G052 3616	Transfer Roller	1
4	G076 3619	Gear - Transfer Roller	1
5	G052 3618	Positioning Roller - Transfer	1
6	G052 3626	Left Bushing - Transfer	2
7	G052 3627	Spring - Transfer	2
8	G052 3345	Registration Guide Sheet1	1
9	G052 3306	Transport Roller Guide	1
10	G052 3294	Paper Transport Guide	1
11	G052 3307	Transport Guide Mylar	1
12	G052 3254	Registration Feeler	1
13	G052 3624	Separation Terminal	1
13	G052 3629	Paper Transport Terminal	1
14	G052 3628	Ground Plate - Paper Transport	1
15	G052 3346	Registration Guide Sheet2	1
16	G052 1018	Paper Transport Guide	1
17	G076 3622	Separation Plate Cover	1
18	G052 3621	Separation Plate	1
19	G052 3323	Registration Sensor Bracket	1
20	AW02 0119	Photointerruptor - LG-248L1	1
21	G052 1256	Development Terminal - High Voltage	1
22	G052 1253	Development Terminal	1
23	G052 3624	Separation Terminal	1
24	G052 3081	Right Cassette Rail	1
25	G076 3301	Supporting Plate:stay>manual Fe	1
26	G030 1052	Rubber Foot	4
27	G052 1019	Pin - Transport Guide	4
28	G052 3641	Transfer Guide Sheet	1
29	G052 3625	Right Bushing - Transfer	1


Index No.	Part No.	Description	Q'ty Per Assembly
101	0450 3008B	Tapping Screw - M3x8	
102	0451 3006B	Tapping Screw - M3x6	
103	0450 4010B	Tapping Screw - 4x10	
104	0450 3010B	Tapping Screw - M3x10	

7.CASSETTE (G073/G074)

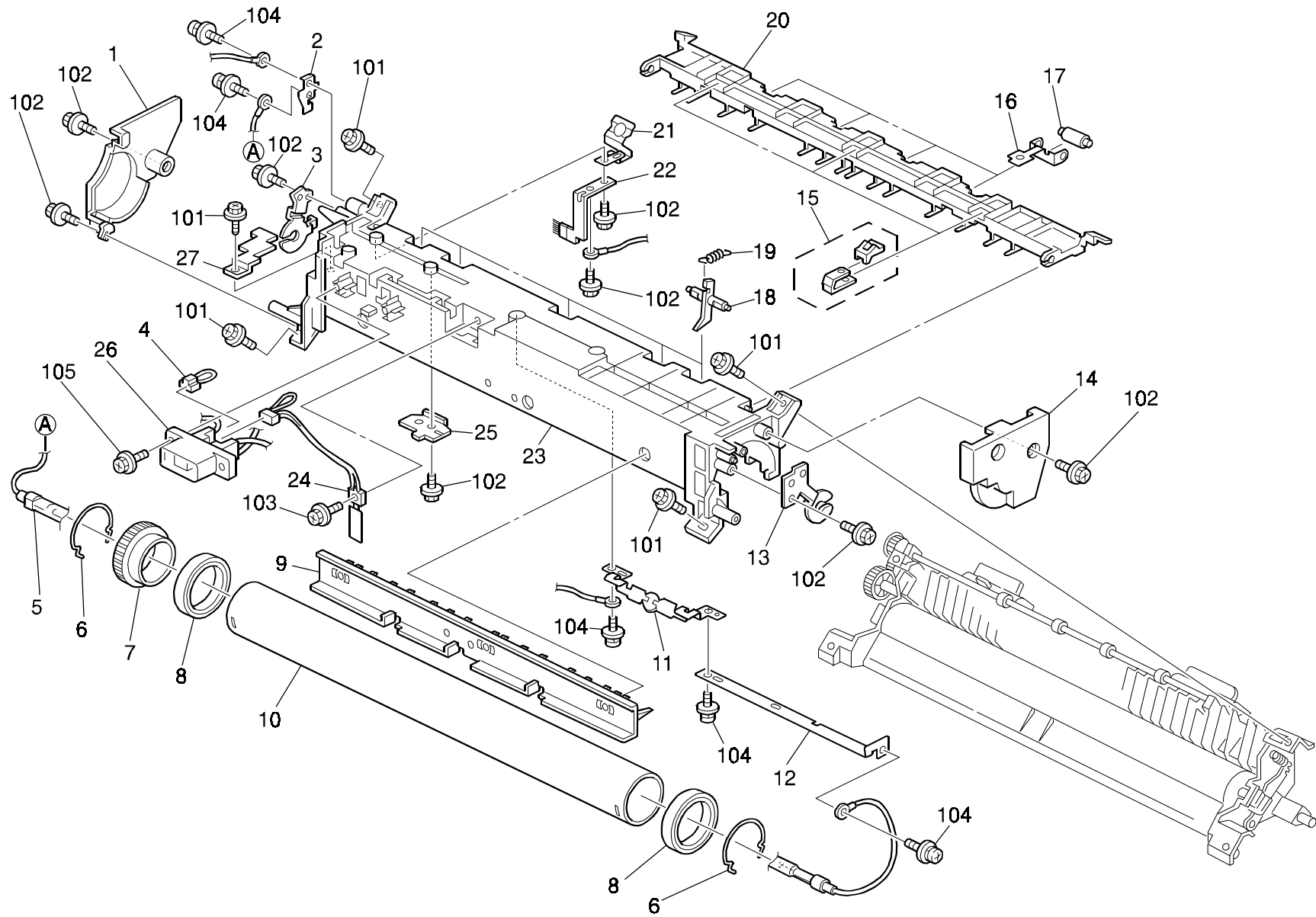


7.CASSETTE (G073/G074)

Index No.	Part No.	Description	Q'ty Per Assembly
	* G076 3031	Paper Tray Ass'y - US	1
	* G076 3032	Paper Tray Ass'y - EUR/Asia	1
1	G800 3129	Cassette Arm	2
2	G052 3083	Spring - Bottom Plate	2
3	G076 3053	Bottom Plate	1
4	G052 3055	Left Side Fence	1
5	G029 2608	Base Pad	1
6	G052 3057	End Fence	1
7	G052 3062	Paper Tray - Rear	1
8	G052 3056	Right Side Fence	1
9	G029 2609	Cassette Protection	2
10	G800 3133	Side Fence Gear	1
11	G052 3085	Paper Size Dial - US	1
11	G052 3095	Paper Size Dial - EUR/asia	1
12	G052 3080	Pin - Paper Size Dial	1
13	G052 3135	Friction Pad	1
14	G800 3147	Pressure Spring - 2.8n	1
	15 G052 3061	Paper Tray - Front	1
16	G052 3079	Decal - Paper Set	1
17	G052 3078	Decal - Tray Extension	1
18	G052 3114	Sheet Cassette	2
19	G052 2354	Decal - Cassette	1
20	G052 3141	Paper Tray Mylar	2
			

Index No.	Part No.	Description	Q'ty Per Assembly
			

8.FUSING UNIT 1 (G073/G074)

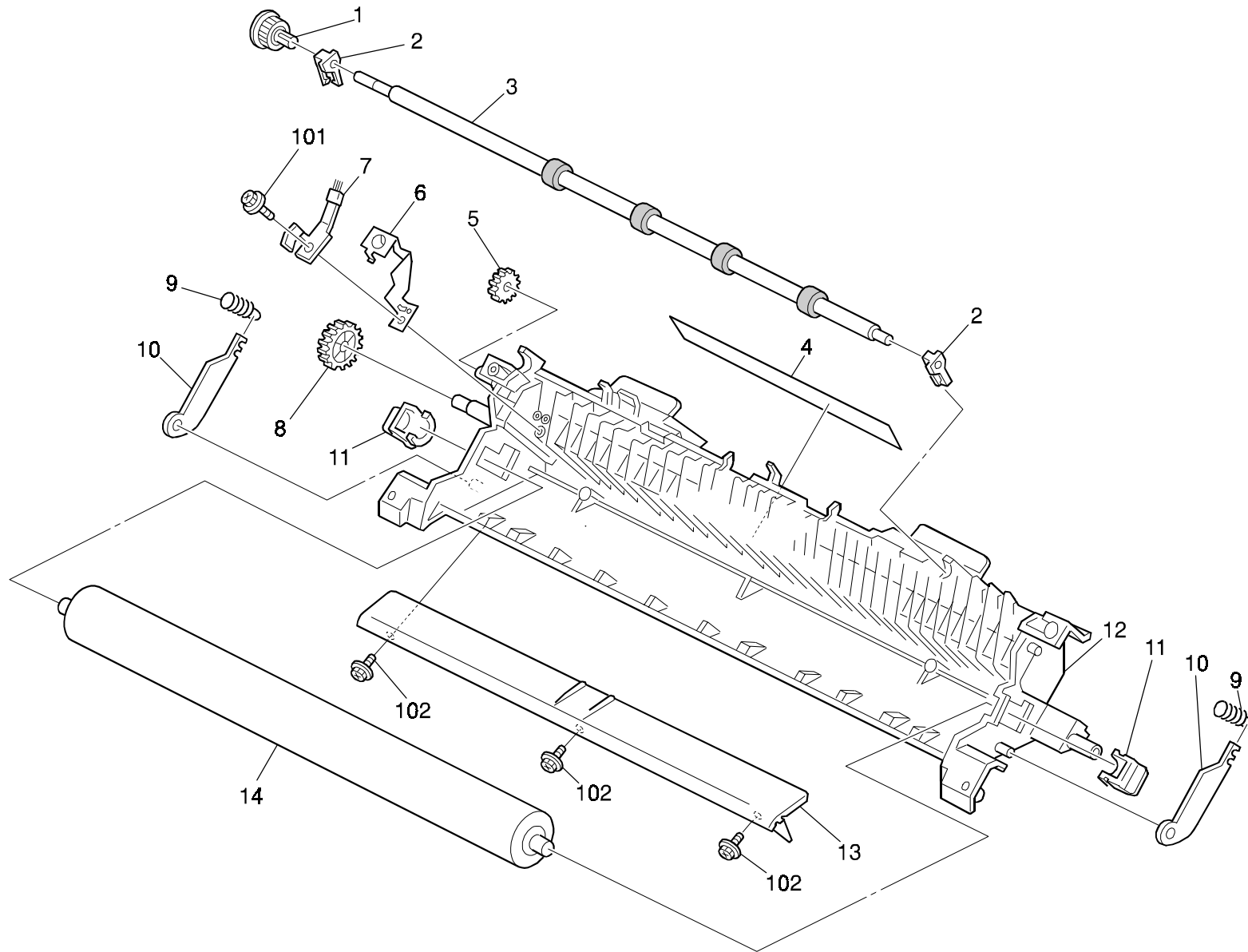


8.FUSING UNIT 1 (G073/G074)

Index No.	Part No.	Description	Q'ty Per Assembly
1	G052 4698	Fusing Left Cover	1
2	G052 4617	Heater Terminal	1
3	G052 4615	Left Fusing Lamp Bracket	1
4	G052 5520	Drawer Ass'y - Fusing Set 115V	1
4	G052 5521	Drawer Ass'y - Fusing Set - 230V	1
5	G052 5544	Fusing Lamp - 120V/750W	1
5	G052 5545	Fusing Lamp - 230V/750W	1
6	G052 4700	External Circlip	2
7	G052 4619	Hot Roller Gear	1
8	G052 4618	Bearing 30x42x7	2
9	G052 4644	Upper Fusing Entrance Guide	1
10	G052 4612	Hot Roller	1
11	G052 4611	Thermostat	1
12	G052 4602	Terminal Plate - Thermostat	1
13	G052 4616	Right Fusing Lamp Bracket	1
14	G052 4699	Fusing Right Cover	1
15	G052 4647	Spring Plate - Fusing Exit	1
16	G052 4639	Exit Roller Holder	4
17	G800 4854	Exit Roller	4
18	G052 4624	Hot Roller Stripper	4
19	G052 4622	Spring - Fusing Stripper	4
20	G052 4635	Fusing Exit Guide	1
21	G052 4690	Ground Plate - Fusing	1
22	G052 4642	Discharge Brush - Fusing	1
23	G052 4629	Fusing Upper Frame	1
24	G052 5501	Fusing Thermistor	1
25	G052 4625	Harness Holder - Fusing	1
26	G052 5500	Fusing Drawer - 120V	1
26	G052 5510	Fusing Drawer - 230V	1
27	G052 4695	Harness Cover	1

Index No.	Part No.	Description	Q'ty Per Assembly
101	0450 3012B	Tapping Screw - 3x12	
102	0450 3008B	Tapping Screw - M3x8	
103	0954 3010B	Philips Screw - M3x10	
104	0954 3008B	Philips Screw - M3x8	
105	0450 3010B	Tapping Screw - M3x10	

9.FUSING UNIT 2 (G073/G074)

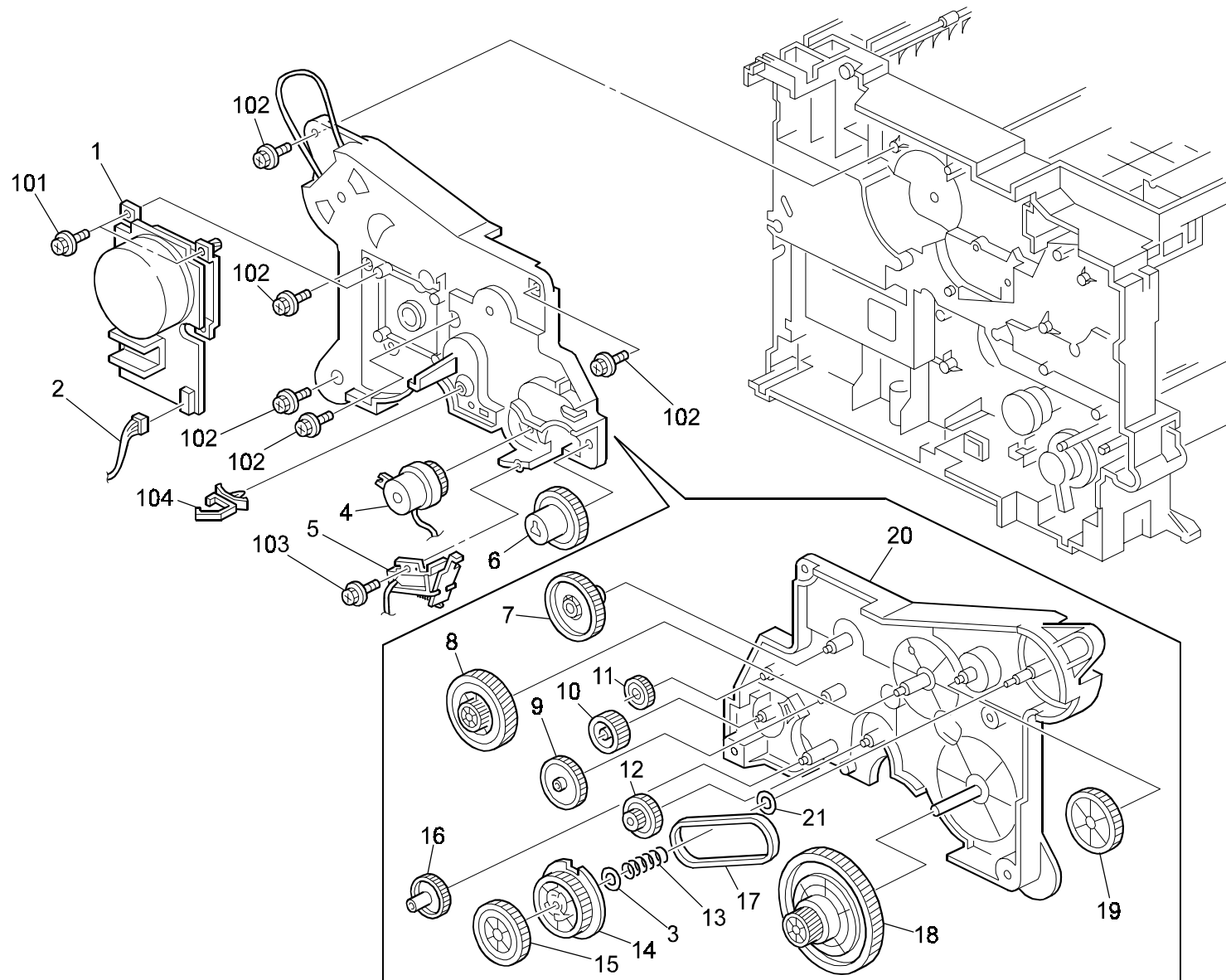


9.FUSING UNIT 2 (G073/G074)

Index No.	Part No.	Description	Q'ty Per Assembly
1	G052 4673	Gear - Paper Exit	1
2	G800 4851	Bushing	2
3	G052 4674	Fusing Exit Roller	1
4	G052 4693	Decal - High Temperature	1
5	G052 4676	Gear - Fusing Idler	1
6	G052 4691	Ground Plate - Fusing Pressure	1
7	G052 4692	Discharge Brush - Pressure	1
8	G052 4677	Gear - Fusing Idler	1
9	G052 4664	Spring - Fusing	2
10	G052 4662	Pressure Roller Lever	2
11	G052 4665	Bushing - Pressure Roller	2
12	G052 4650	Fusing Lower Frame	1
13	G052 4681	Fusing Entrance Guide	1
14	G052 4656	Fusing Pressure Roller	1

Index No.	Part No.	Description	Q'ty Per Assembly
101	0450 3008B	Tapping Screw - M3x8	
102	0450 3010B	Tapping Screw - M3x10	

10.PAPER FEED DRIVE (G073/G074)

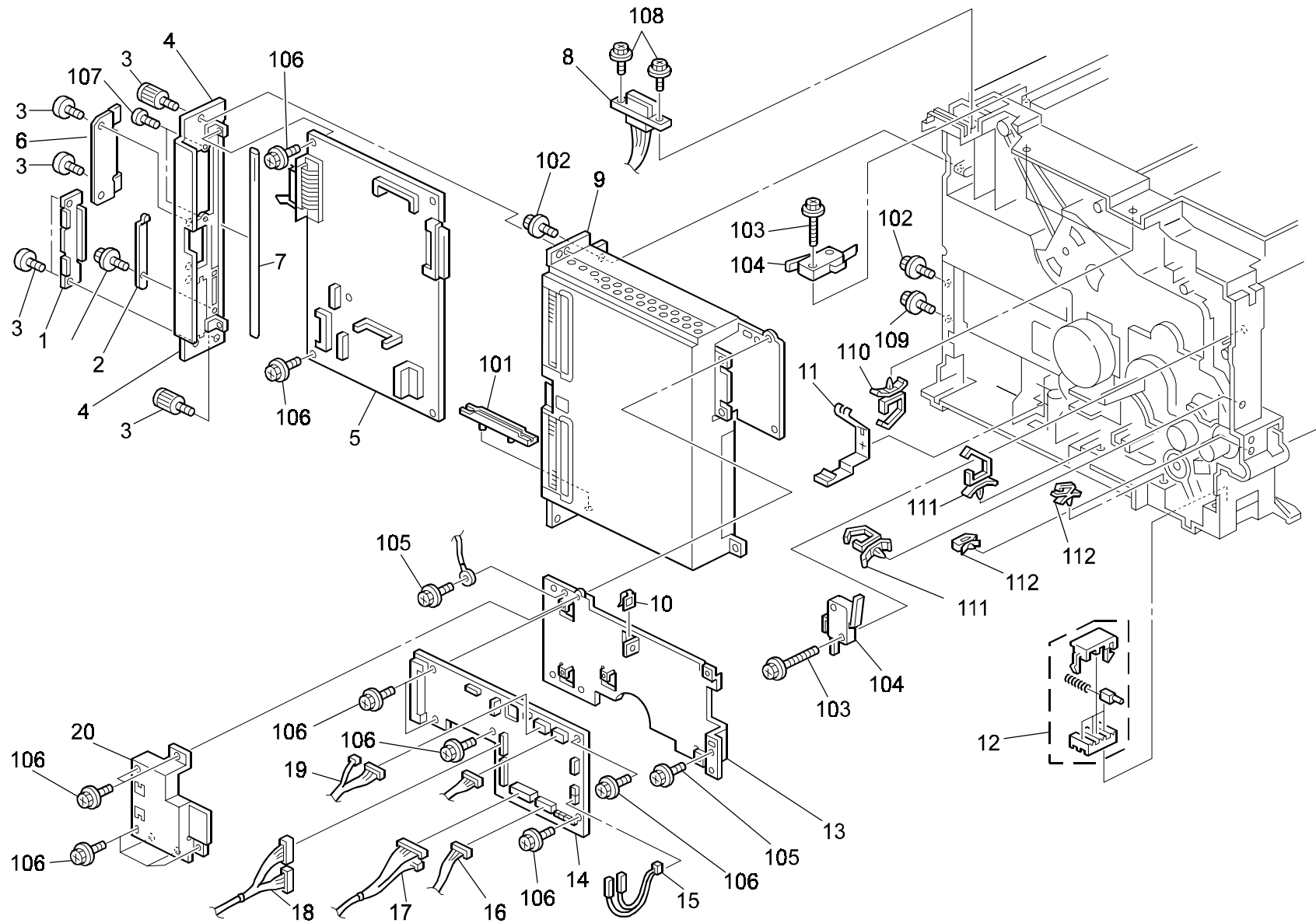


10.PAPER FEED DRIVE (G073/G074)

Index No.	Part No.	Description	Q'ty Per Assembly
1	G052 1150	Main Motor - DC20W	1
2	G052 5414	Harness - Duplex	1
3	5353 1803	Wave Washer	1
4	AX20 0209	Magnetic Clutch - Z25	1
5	G052 3388	Solenoid - DC24V	1
6	G052 3297	Spring Clutch - Bypass	1
7	G052 1108	Gear - Paper Feed 1	1
8	G052 1104	Gear - Fusing 1	1
9	G052 1109	Gear - Paper Feed 2	1
10	G052 1113	Gear - Paper Feed 6	1
11	G052 1112	Gear - Paper Feed 5	1
12	G052 1110	Gear - Paper Feed 3	1
13	G052 1120	Spring - Paper Exit Release	1
14	G052 1107	Gear - Pulley - Fusing	1
15	G052 1106	Gear - Fusing 3	1
16	G052 1111	Gear - Paper Feed 4	1
17	G052 1121	Drive Belt	1
18	G052 1103	Gear - PCU	1
19	G052 1105	Gear - Fusing 2	1
20	G052 1102	Drive Unit Bracket	1
21	G052 1123	Spacer - Drive Unit	1

Index No.	Part No.	Description	Q'ty Per Assembly
101	0450 4010B	Tapping Screw - 4x10	
102	0450 3010B	Tapping Screw - M3x10	
103	0450 3008B	Tapping Screw - M3x8	
104	1105 0292	Wire Saddle	

11.ELECTRICAL SECTION 1 (G073/G074)



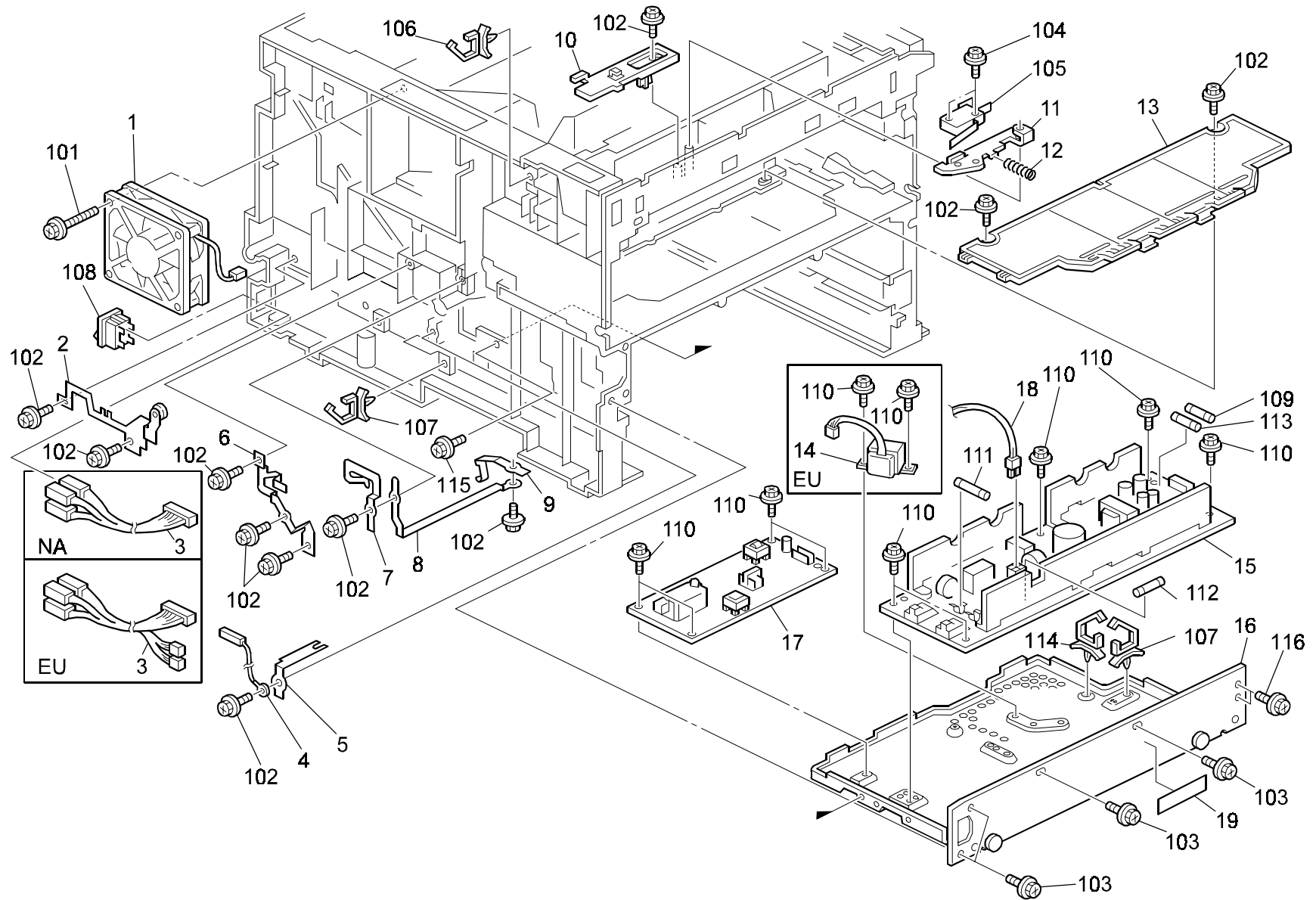
11.ELECTRICAL SECTION 1 (G073/G074)



Index No.	Part No.	Description	Q'ty Per Assembly
1	G056 6005	HDD Cover	1
2	G056 6006	IC Card Slot Cover	1
3	G069 6006	Knob Screw	6
4	G072 6001	Controller Bracket - G073	1
4	G069 6001	Controller Bracket - G074	1
5	G073 5712	Controller Board - G073 Model	1
5	G074 5712	Controller Board - G074 Model	1
6	G069 6005	Option Cover	1
7	G056 6021	Gasket - UC-3E0595	1
8	G052 5413	Harness - Paper Exit - Option	1
9	G076 1241	Controller Bracket	1
10	G052 1212	Clip	1
11	G052 1261	Ground Plate - Option Tray	1
12	G800 3035	Push SW - Paper Size	1
13	G076 1211	Engine Board Bracket	1
14	G076 5121	Engine Board - USA	1
14	G076 5122	Engine Board - EUR	1
15	G052 5410	Harness - Interlock	1
16	G052 5414	Harness - Duplex	1
17	G052 5412	Harness - PFU	1
18	G052 5428	Harness - Power Cord - 115V	1
18	G052 5421	Harness - Power Cord - 230V	1
19	G052 5413	Harness - Paper Exit - Option	1
20	G076 1216	Engine Board Cover	1

Index No.	Part No.	Description	Q'ty Per Assembly
101	1005 0808	Controller Guide Rail	
102	0451 4006H	Tapping Screw - M4x6	
103	0450 3016B	Tapping Screw - M3x16	
104	1204 2521	Micro Switch	
105	0450 3008B	Tapping Screw - M3x8	
106	0451 3006B	Tapping Screw - M3x6	
107	0353 0080Z	Philips Trass Head Screw - M3x8	
108	0450 3010B	Tapping Screw - M3x10	
109	0450 3008H	Tapping Screw - M3x8	
110	1105 0310	Harness Clamp - LWS-1S	
111	1105 0292	Wire Saddle	
112	1105 0199	Clamp	

12.ELECTRICAL SECTION 2 (G073/G074)



12.ELECTRICAL SECTION 2 (G073/G074)

Index No.	Part No.	Description	Q'ty Per Assembly
1	GX64 0018	Cooling Fan - DC 24V/4.3W	1
2	G052 3338	Ground Plate - Registration Guide	1
3	G052 5409	Harness - Main Switch	1
3	G052 5422	Harness - Main SW 230V	1
4	G052 5419	Harness - Power Pack	1
5	G052 3623	Transfer Terminal	1
6	G052 1252	Drum Terminal	1
7	G052 1251	Charge Terminal	1
8	G052 1254	Inner Terminal - Charge	1
9	G052 1255	Charge Terminal - High Voltage	1
10	G052 1275	Micro Switch Cover	1
11	G052 1272	Rear Cover SW Bracket	1
12	G052 1273	Spring - Micro Switch	1
13	G052 1021	PSU Top Cover	1
14	N607 4525	Coil - RITL-9704	1
15	G052 5210	PCB - PSU - 120V	1
15	G052 5211	Power Supply Unit - 230V 135W	1
16	G076 1221	PSU Bracket - 120V	1
16	G076 1224	PSU Bracket - 230V	1
17	G052 5300	Power Pack	1
18	G052 5428	Harness - Power Cord - 115V	1
18	G052 5421	Harness - Power Cord - 230V	1
19	G029 1983	Decal - Laser Class1 - SECC	1

Index No.	Part No.	Description	Q'ty Per Assembly
101	0450 4035B	Philips Tapping Screw - M4x35	
102	0450 3008B	Tapping Screw - M3x8	
103	0450 3008H	Tapping Screw - M3x8	
104	0451 3014B	Tapping Screw - M3-14	
105	1204 2521	Micro Switch	
106	1105 0199	Clamp	
107	1105 0292	Wire Saddle	
108	1204 2477	Rocker Switch - AC250V 10A	
109	1107 0884	Fuse - 5A 250V (EU FU4)	
109	1107 0868	Fuse - 5A 125V (NA FU4)	
110	0802 5276	Tapping Screw With Washer - M3x6	
111	1107 0629	Fuse - 15A - 125V (NA FU1)	
112	1107 0877	Fuse - 3.15A 250V (EU FU2)	
112	1107 0880	Fuse - 6.3A 250V (NA FU2)	
113	1107 0884	Fuse - 5A 250V (EU FU3)	
113	1107 0868	Fuse - 5A 125V (NA FU3)	
114	1105 0310	Harness Clamp - LWS-1S	
115	0451 3008B	Tapping Screw - M3x8	
116	0451 4006H	Tapping Screw - M4x6	

13.CONTROLLER BOARD (G073)

CAPACITOR

SYMBOL NO.	INDEX NO.	SYMBOL NO.	INDEX NO.	SYMBOL NO.	INDEX NO.	SYMBOL NO.	INDEX NO.	SYMBOL NO.	INDEX NO.	SYMBOL NO.	INDEX NO.	SYMBOL NO.	INDEX NO.
C1	155	C25	148	C60	148	C91	146	C178	148	C189	148	C233	148
C3	204	C26	154	C70	154	C92	146	C179	148	C190	156	C235	148
C12	204	C27	157	C74	148	C93	146	C180	154	C191	156	C236	148
C13	150	C43	148	C75	148	C95	148	C181	154	C217	156	C237	148
C14	157	C44	158	C76	154	C127	148	C183	158	C220	156	C239	148
C15	154	C55	154	C81	171	C148	155	C184	158	C221	156	C240	148
C16	150	C56	148	C87	154	C149	172	C185	158	C222	156	C241	148
C17	157	C57	148	C88	148	C152	148	C186	148	C229	148	C242	148
C18	157	C58	148	C89	148	C165	148	C187	154	C230	148	C243	148
C19	157	C59	154	C90	146	C166	148	C188	156	C232	148	C244	148

CAPACITOR

SYMBOL NO.	INDEX NO.	SYMBOL NO.	INDEX NO.	SYMBOL NO.	INDEX NO.	SYMBOL NO.	INDEX NO.	SYMBOL NO.	INDEX NO.	SYMBOL NO.	INDEX NO.	SYMBOL NO.	INDEX NO.
C245	148	C256	148	C268	146	C285	157	C307	155	C322	157	C342	148
C246	148	C257	158	C269	157	C286	157	C308	155	C326	153	C343	148
C247	148	C258	158	C271	157	C297	157	C310	202	C330	148	C346	148
C248	148	C259	158	C272	157	C298	157	C312	148	C333	157	C349	148
C249	148	C260	158	C273	143	C299	154	C315	148	C334	153	C351	148
C250	148	C261	158	C275	148	C301	148	C317	154	C335	148	C352	148
C251	157	C264	143	C276	157	C303	157	C318	148	C336	148	C353	148
C252	148	C265	157	C277	157	C304	157	C319	147	C338	148	C354	148
C254	148	C266	148	C283	157	C305	155	C320	148	C340	154	C355	148
C255	148	C267	172	C284	157	C306	155	C321	148	C341	148	C356	148

13.CONTROLLER BOARD (G073)

CAPACITOR

SYMBOL NO.	INDEX NO.
C357	148
C358	148
C359	148
C360	148
C361	148
C362	148
C363	148
C364	148
C365	148
C366	148

SYMBOL NO.	INDEX NO.
C367	148
C368	148
C369	148
C370	148
C371	148
C372	148
C373	203
C374	205
C375	151
C376	149

SYMBOL NO.	INDEX NO.
C377	148
C378	148
C379	148
C381	172
C382	148
C383	145
C384	148
C385	144
C390	148
C391	148

SYMBOL NO.	INDEX NO.
C392	148
C393	148
C394	148
C395	148
C396	148
C400	152
C401	152
C402	157
C403	148
C404	153

SYMBOL NO.	INDEX NO.
C405	148
C406	152
C407	153
C408	148
C409	157

CONNECTOR

SYMBOL NO.	INDEX NO.
CN1	102
CN2	107
CN3	104
CN4	106
CN5	109
CN6	110
CN7	108
CN9	103
CN10	105
CN13	101

DIODE

SYMBOL NO.	INDEX NO.
D2	113
D3	113

FILTER

SYMBOL NO.	INDEX NO.
FIL1	160
FIL22	163
FIL23	163
FIL24	163
FIL25	163
FIL26	165
FIL27	162
FIL28	162
FIL29	160
FIL30	161

HIC

SYMBOL NO.	INDEX NO.
HIC1	4

IC

SYMBOL NO.	INDEX NO.
IC2	129
IC3	121
IC5	5
IC6	208
IC7	208
IC15	123
IC20	122
IC29	207
IC30	207
IC38	117

SYMBOL NO.	INDEX NO.
IC39	118
IC43	1
IC46	119
IC47	120
IC48	130
IC49	131
IC51	206
IC52	133
IC54	124
IC54	111

SYMBOL NO.	INDEX NO.
IC55	125
IC56	127
IC57	2
IC58	128
IC60	126

IP

SYMBOL NO.	INDEX NO.
IP15	170
IP17	169
IP18	169
IP19	169
IP22	169
IP23	169
IP26	169
IP29	169
IP30	169
IP31	169

SYMBOL NO.	INDEX NO.
IP33	170
IP37	170
IP38	169
IP39	169

13.CONTROLLER BOARD (G073)

L

SYMBOL NO.	INDEX NO.
L1	166
L2	159
L3	159

LED

SYMBOL NO.	INDEX NO.
LED1	115
LED2	116
LED3	114

OSC

SYMBOL NO.	INDEX NO.
OSC1	134
OSC2	135
OSC3	3

RESISTOR

SYMBOL NO.	INDEX NO.
R1	177
R5	177
R6	177
R7	177
R14	177
R16	174
R17	177
R18	177
R19	186
R21	186

SYMBOL NO.	INDEX NO.
R23	186
R25	186
R34	179
R35	179
R36	186
R37	189
R41	174
R42	189
R46	183
R47	183

SYMBOL NO.	INDEX NO.
R48	186
R49	186
R50	186
R51	186
R87	194
R88	194
R89	180
R93	194
R98	194
R108	196

SYMBOL NO.	INDEX NO.
R110	176
R111	196
R112	177
R113	193
R114	196
R132	177
R133	177
R134	177
R135	177
R139	180

RESISTOR

SYMBOL NO.	INDEX NO.
R159	186
R164	177
R165	177
R167	187
R168	186
R169	186
R170	186
R171	186
R172	186
R173	186

SYMBOL NO.	INDEX NO.
R184	177
R190	177
R214	186
R220	167
R221	168
R229	186
R230	175
R266	195
R267	176
R268	176

SYMBOL NO.	INDEX NO.
R269	177
R270	195
R271	177
R272	177
R274	177
R275	177
R279	177
R280	176
R281	186
R282	186

SYMBOL NO.	INDEX NO.
R284	186
R285	200
R290	186
R291	186
R292	186
R308	186
R309	177
R310	186
R311	186
R312	176

SYMBOL NO.	INDEX NO.
R313	184
R314	184
R315	198
R316	180
R317	201
R318	177
R319	173
R320	186
R321	192
R324	192

SYMBOL NO.	INDEX NO.
R325	186
R326	197
R330	177
R332	173
R333	177
R335	188
R336	181
R339	188
R341	177
R343	197

SYMBOL NO.	INDEX NO.
R347	186
R349	186
R351	192
R352	198
R353	173
R355	186
R357	191
R358	186
R359	185
R360	173

13.CONTROLLER BOARD (G073)

RESISTOR

SYMBOL NO.	INDEX NO.
R361	186
R362	192
R363	177
R364	199
R365	177
R367	177
R368	177
R369	176
R370	177
R371	177

SYMBOL NO.	INDEX NO.
R372	177
R374	177
R375	177
R376	186
R377	186
R378	186
R379	186
R380	186
R381	186
R382	186

SYMBOL NO.	INDEX NO.
R383	186
R384	186
R385	186
R386	186
R387	186
R389	177
R390	177
R391	182
R392	185
R393	177

SYMBOL NO.	INDEX NO.
R397	186
R399	192
R400	178
R401	190
R402	177
R403	177

REG

SYMBOL NO.	INDEX NO.
REG1	132

RN

SYMBOL NO.	INDEX NO.
RN1	142
RN10	142
RN11	142
RN12	142
RN13	142
RN14	142
RN15	142
RN16	142
RN17	142
RN18	142

SYMBOL NO.	INDEX NO.
RN19	142
RN20	142
RN21	142
RN22	142
RN23	142
RN24	142
RN25	142
RN26	142
RN27	142
RN28	142

RN

SYMBOL NO.	INDEX NO.
RN29	142
RN30	142
RN31	136
RN65	139
RN72	141
RN73	141
RN74	141
RN80	142
RN82	137
RN83	138

SYMBOL NO.	INDEX NO.
RN84	138
RN85	138
RN86	138
RN92	142
RN100	139
RN101	142
RN102	142
RN103	142
RN104	142
RN105	142

SYMBOL NO.	INDEX NO.
RN106	142
RN107	142
RN108	142
RN110	142
RN111	142
RN112	140
RN113	140
RN114	140
RN115	140
RN116	142

SYMBOL NO.	INDEX NO.
RN117	142
RN118	142
RN119	142
RN120	142
RN121	142
RN122	142
RN123	142
RN124	142
RN125	142
RN126	142

SYMBOL NO.	INDEX NO.
RN127	142

SW

SYMBOL NO.	INDEX NO.
SW2	112

T

SYMBOL NO.	INDEX NO.
T1	164

13.CONTROLLER BOARD (G073)

Index No.	Part No.	Description	Q'ty Per Assembly
*	G073 5712	Controller Board - G073 Model	1
1	G056 5901	MASK ROM - PCL	1
2	G069 5911	IC - U2PCI-KL5BUDV002CCFP	1
3	G069 5935	Oscillator - 48MHZ	1
4	G069 5993	Hybrid IC - D3117	1
5	G073 5902	IC - ASIC - SIMAC5	1
101	1102 4203	CT Header - 4P	
102	1102 7625	Connector - TX24-80R-LT-N1	
136	1601 7752	Resistor Array - 10K Ω \pm 5%	
137	1601 7760	Resistor Array	

Index No.	Part No.	Description	Q'ty Per Assembly
103	1102 7785	Connector - 57RE40360830BD29B	
104	1102 8153	Connector - FCN-568P068-G/05A-V4	
105	1102 8329	Connector - Usb - UBB-4R-D14C	
106	1102 8356	Connector - FX2M1B-44P-1.27DSI	
107	1102 8357	Connector - 52777-0809	
108	1102 8829	Connector - DM-1D4-N3210	
109	1102 8832	Connector - DM-3D4-B3210	
110	1102 8989	Lan Connector	
111	1104 0588	DIP Socket - 28p	
112	1204 1542	DIP Switch	
113	1401 0821	Diode - 1SS133	
114	1403 0953	LED - SML-310MT	
115	1403 0996	LED - SML-310VT	
116	1403 1033	LED - SML-310YT	
117	1407 4919	IC - 74VHCT244 TSSOP	
118	1407 4920	IC - 74VHCT245 TSSOP	
119	1407 5274	CMOS Logic - 74LVCH162244A TSSOP	
120	1407 5275	CMOS Logic - 74LVCHR16245A TSSOP	
121	1407 5278	Clock Generator - ICS9148BF-17	
122	1407 5322	IC - CMOS LOGIC SN74LVC161284DGG	
123	1407 5337	CMOS Logic - 74LVCH16373A TSSOP	
124	1407 5497	RAM - FM1808-120-P	
125	1407 5523	ROM - I2C SOP 3V	
126	1407 5555	IC - SN74AHCT126PW	
127	1407 5674	IC - LVDS DP83846AVHG(A4)	
128	1407 5678	USB - KI5KUSB200CCFP	
129	1407 5680	CPU - RM5231A-250H-REV1.3	
130	1408 1273	IC - RN5VD28A	
131	1408 1398	Detector - RN5VD42A	
132	1408 1507	Regulator - PQ05VY3H3Z	
133	1408 1639	IC - RN5VD14A	
134	1503 0842	Oscillator - 14.31818MHZ	
135	1503 0959	Crystal Oscilator - 25MHZ	
138	1601 7867	Resistor - 33 Ω \pm 5% 1/16W	
139	1601 7871	Resistor - 68 Ω \pm 5% 1/16W	

Index No.	Part No.	Description	Q'ty Per Assembly
140	1601 7877	Resistor Array 4.7k Ω \pm 5% 1/32W	
141	1601 7887	Resistor Array - 10K Ω \pm 5% 1/32W	
142	1601 7898	Resistor Array	
143	1604 2427	Capacitor - 220UF, \pm 20%,25V	
144	1604 4802	Capacitor - 330 μ F \pm 20% 35V	
145	1604 4993	Capacitor - 100 μ F \pm 20% 4V	
146	1605 0971	Ceramic Capacitor	
147	1605 1025	Capacitor - 1000pF \pm 10% 2KV	
148	1605 1116	Capacitor - 0.1 μ F \pm 10% 10V	
149	1605 1199	Capacitor - 8PF \pm 0.5pF 50V	
150	1605 1200	Capacitor - 10PF \pm 0.5pF 50V	
151	1605 1202	Capacitor - 15pF \pm 5% 50V	
152	1605 1205	Capacitor - 33pF \pm 5% 50V	
153	1605 1212	Capacitor - 470pF \pm 10% 50V	
154	1605 1214	Capacitor - 1000pF \pm 10% 50V	
155	1605 1224	Capacitor 4.7 μ F \pm 10% 6.3V	
156	1605 1238	Capacitor - 2.2 μ F \pm 10% 6.3V	
157	1605 1240	Capacitor - 0.01 μ F \pm 10% 25V	
158	1605 1242	Capacitor - 1 μ F \pm 10% 6.3V	
159	1607 0551	Inductor - BLM32A07PB	
160	1607 1014	EMI Filter - BLM11P600SPB	
161	1607 1019	Filter - ACB1608M-040	
162	1607 1051	Filter - FBMJ2125HS420	
163	1607 1206	Filter - ACC2012L-250	
164	1607 1282	Pulse Transformer - TLA-6T118	
165	1607 1285	Filter - NFM2012P13C105F	
166	1607 1362	Coil - ACM3225-800-2P	
167	1610 1506	Resistor - 1K Ω \pm 0.5% 1/16W	
168	1610 1616	Resistor - 330 Ω \pm 0.5% 1/16W	
169	1632 0000	Resistor - 0 Ω 1/8W	
170	1634 0000	Resistor - 0 Ω 1/16W	
171	1640 1221	Capacitor - 220 μ F \pm 20% 16V	
172	1642 1101	Capacitor - 100 μ F \pm 20% 16V	
173	1650 2750	Resistor - 75 Ω \pm 5% 1/4W	
174	1650 4100	Resistor - 10 Ω \pm 5% 1/10W	

Index No.	Part No.	Description	Q'ty Per Assembly
175	1650 4101	Resistor - 100 Ω \pm 5%1/10W	
176	1650 4102	Resistor - 1K Ω \pm 5% 1/10W	
177	1650 4103	Resistor - 10K Ω \pm 5% 1/10W	
178	1650 4105	Resistor - 1M Ω \pm 5% 1/10W	
179	1650 4109	Resistor - 1 Ω \pm 5% 1/10W	
180	1650 4122	Chip Resistor - 1.2k Ω \pm 5% 1/10W	
181	1650 4152	Resistor - 1.5K Ω \pm 5% 1/10W	
182	1650 4153	Resistor - 15K Ω \pm 5% 1/10W	
183	1650 4229	Resistor - 2.2 Ω \pm 5% 1/10W	
184	1650 4271	Resistor - 270 Ω \pm 5%1/10W	
185	1650 4303	Resistor - 30K Ω \pm 5% 1/10W	
186	1650 4330	Chip Resistor - 33 Ω \pm 5% 1/10W	
187	1650 4331	Resistor - 330 Ω \pm 5%1/10W	
188	1650 4390	Resistor - 39 Ω -5% 1/10W	
189	1650 4470	Resistor - 47 Ω \pm 5%1/10W	
190	1650 4471	Resistor - 470 Ω \pm 5%1/10W	
191	1650 4472	Resistor - 4.7K Ω \pm 5% 1/10W	
192	1650 4512	Resistor - 5.1K Ω \pm 5%1/10W	
193	1650 4562	Resistor - 5.6K Ω \pm 5% 1/10W	
194	1650 4680	Resistor - 68 Ω \pm 5%1/10W	
195	1650 4683	Resistor - 68K Ω \pm 5% 1/10W	
196	1650 4820	Resistor - 82 Ω \pm 5% 1/10W	
197	1652 4999	Resistor - 49.9 Ω \pm 1% 1/4W	
198	1652 5499	Resistor - 54.9 Ω \pm 1% 1/4W	
199	1654 1242	Resistor - 12.4K Ω \pm 1% 1/10W	
200	1654 8200	Resistor - 820 Ω \pm 1%1/10W	
201	1654 9311	Resistor - 9.31K Ω \pm 1% 1/10W	
202	1660 0100	Capacitor - 10PF \pm 0.5pF 50V	
203	1660 2101	Capacitor - 100pF - \pm 10% - 50V	
204	1660 4103	Capacitor - 10000pF - \pm 10% - 50V	
205	1660 8104	Capacitor - 0.1 μ F+80-20% 25V	
206	1906 0016	IC - LH28F160BJE-BTL70	
207	1906 0017	Flash Memory - LH28F320BJ-PBTL70	
208	1907 0017	SDRAM -128M 2MX16X4 100Mhz G2	

14.CONTROLLER BOARD (G074)

CAPACITOR

SYMBOL NO.	INDEX NO.	SYMBOL NO.	INDEX NO.	SYMBOL NO.	INDEX NO.	SYMBOL NO.	INDEX NO.	SYMBOL NO.	INDEX NO.	SYMBOL NO.	INDEX NO.	SYMBOL NO.	INDEX NO.
C1	155	C25	148	C60	148	C91	146	C178	148	C189	148	C233	148
C3	204	C26	154	C70	154	C92	146	C179	148	C190	156	C235	148
C12	204	C27	157	C74	148	C93	146	C180	154	C191	156	C236	148
C13	150	C43	148	C75	148	C95	148	C181	154	C217	156	C237	148
C14	157	C44	158	C76	154	C127	148	C183	158	C220	156	C239	148
C15	154	C55	154	C81	171	C148	155	C184	158	C221	156	C240	148
C16	150	C56	148	C87	154	C149	172	C185	158	C222	156	C241	148
C17	157	C57	148	C88	148	C152	148	C186	148	C229	148	C242	148
C18	157	C58	148	C89	148	C165	148	C187	154	C230	148	C243	148
C19	157	C59	154	C90	146	C166	148	C188	156	C232	148	C244	148

CAPACITOR

SYMBOL NO.	INDEX NO.	SYMBOL NO.	INDEX NO.	SYMBOL NO.	INDEX NO.	SYMBOL NO.	INDEX NO.	SYMBOL NO.	INDEX NO.	SYMBOL NO.	INDEX NO.	SYMBOL NO.	INDEX NO.
C245	148	C256	148	C268	146	C285	157	C307	155	C351	148	C361	148
C246	148	C257	158	C269	157	C286	157	C308	155	C352	148	C362	148
C247	148	C258	158	C271	157	C297	157	C312	148	C353	148	C363	148
C248	148	C259	158	C272	157	C298	157	C315	148	C354	148	C365	148
C249	148	C260	158	C273	143	C299	154	C322	157	C355	148	C368	148
C250	148	C261	158	C275	148	C301	148	C326	153	C356	148	C369	148
C251	157	C264	143	C276	157	C303	157	C333	157	C357	148	C370	148
C252	148	C265	157	C277	157	C304	157	C334	153	C358	148	C373	203
C254	148	C266	148	C283	157	C305	155	C335	148	C359	148	C374	205
C255	148	C267	172	C284	157	C306	155	C349	148	C360	148	C375	151

14.CONTROLLER BOARD (G074)

CAPACITOR

SYMBOL NO.	INDEX NO.
C376	149
C377	148
C378	148
C379	148
C381	172
C382	148
C383	145
C384	148
C385	144
C390	148

SYMBOL NO.	INDEX NO.
C391	148
C392	148
C393	148
C394	148
C395	148
C396	148
C400	152
C401	152
C402	157
C403	148

SYMBOL NO.	INDEX NO.
C404	153
C405	148
C406	152
C407	153
C408	148
C409	157

CONNECTOR

SYMBOL NO.	INDEX NO.
CN1	102
CN2	107
CN3	104
CN4	106
CN5	109
CN7	108
CN9	103
CN10	105
CN13	101

DIODE

SYMBOL NO.	INDEX NO.
D2	113
D3	113

FILTER

SYMBOL NO.	INDEX NO.
FIL1	160
FIL22	163
FIL23	163
FIL24	163
FIL25	163
FIL26	165
FIL27	162
FIL28	162
FIL29	160
FIL30	161

HIC

SYMBOL NO.	INDEX NO.
HIC1	4

IC

SYMBOL NO.	INDEX NO.
IC2	129
IC3	121
IC5	5
IC6	208
IC7	208
IC15	123
IC20	122
IC29	207
IC30	207
IC38	117

SYMBOL NO.	INDEX NO.
IC39	118
IC43	1
IC46	119
IC47	120
IC48	130
IC49	131
IC51	206
IC52	133
IC54	124
IC54	111

SYMBOL NO.	INDEX NO.
IC57	2
IC58	128
IC60	126

JP

SYMBOL NO.	INDEX NO.
JP15	170
JP17	169
JP18	169
JP19	169
JP22	169
JP23	169
JP26	169
JP29	169
JP30	169
JP31	169

SYMBOL NO.	INDEX NO.
JP33	170
JP37	170
JP38	169
JP39	169

L

SYMBOL NO.	INDEX NO.
L1	166

LED

SYMBOL NO.	INDEX NO.
LED1	115

14.CONTROLLER BOARD (G074)

OSC

SYMBOL NO.	INDEX NO.
OSC1	134
OSC3	3

RESISTOR

SYMBOL NO.	INDEX NO.
R1	177
R5	177
R6	177
R7	177
R14	177
R16	174
R17	177
R18	177
R19	186
R21	186

SYMBOL NO.	INDEX NO.
R23	186
R25	186
R34	179
R35	179
R36	186
R37	189
R41	174
R42	189
R46	183
R47	183

SYMBOL NO.	INDEX NO.
R48	186
R49	186
R50	186
R51	186
R87	194
R88	194
R89	180
R93	194
R98	194
R108	196

SYMBOL NO.	INDEX NO.
R110	176
R111	196
R112	177
R113	193
R114	196
R132	177
R133	177
R134	177
R135	177
R139	180

SYMBOL NO.	INDEX NO.
R159	186
R164	177
R165	177
R167	187
R184	177
R190	177
R214	186
R220	167
R221	168
R229	186

SYMBOL NO.	INDEX NO.
R230	175
R266	195
R267	176
R269	177
R270	195
R271	177
R272	177
R274	177
R275	177
R279	177

RESISTOR

SYMBOL NO.	INDEX NO.
R280	176
R281	186
R282	186
R285	200
R290	186
R291	186
R292	186
R308	186
R309	177
R310	186

SYMBOL NO.	INDEX NO.
R311	186
R312	176
R316	180
R318	177
R330	177
R333	177
R335	188
R336	181
R339	188
R341	177

SYMBOL NO.	INDEX NO.
R359	185
R363	177
R364	199
R365	177
R366	177
R367	177
R368	177
R369	176
R370	177
R371	177

SYMBOL NO.	INDEX NO.
R372	177
R374	177
R375	177
R376	186
R377	186
R378	186
R379	186
R380	186
R381	186
R382	186

SYMBOL NO.	INDEX NO.
R383	186
R384	186
R385	186
R386	186
R387	186
R389	177
R390	177
R391	182
R392	185
R393	177

SYMBOL NO.	INDEX NO.
R397	186
R399	192
R400	178
R401	190
R402	177
R403	177

REG

SYMBOL NO.	INDEX NO.
REG1	132

14.CONTROLLER BOARD (G074)

RN

SYMBOL NO.	INDEX NO.
RN1	142
RN10	142
RN11	142
RN12	142
RN13	142
RN14	142
RN15	142
RN16	142
RN17	142
RN18	142

SYMBOL NO.	INDEX NO.
RN19	142
RN20	142
RN21	142
RN22	142
RN23	142
RN24	142
RN25	142
RN26	142
RN27	142
RN28	142

SYMBOL NO.	INDEX NO.
RN29	142
RN30	142
RN31	136
RN65	139
RN72	141
RN73	141
RN74	141
RN80	142
RN82	137
RN83	138

SYMBOL NO.	INDEX NO.
RN84	138
RN85	138
RN86	138
RN92	142
RN100	139
RN101	142
RN102	142
RN103	142
RN104	142
RN105	142

SYMBOL NO.	INDEX NO.
RN106	142
RN107	142
RN108	142
RN110	142
RN111	142
RN112	140
RN113	140
RN114	140
RN115	140
RN117	142

SYMBOL NO.	INDEX NO.
RN118	142
RN119	142
RN120	142
RN121	142
RN122	142
RN123	142
RN124	142
RN125	142
RN126	142
RN127	142

SW

SYMBOL NO.	INDEX NO.
SW2	112

14.CONTROLLER BOARD (G074)

Index No.	Part No.	Description	Q'ty Per Assembly
*	G074 5712	Controller Board - G074 Model	
1	G056 5901	MASK ROM - PCL	
2	G069 5911	IC - U2PCI-KL5BUDV002CCFP	
3	G069 5935	Oscillator - 48MHZ	
4	G069 5993	Hybrid IC - D3117	
5	G073 5902	IC - ASIC - SIMAC5	

Index No.	Part No.	Description	Q'ty Per Assembly
101	1102 4203	CT Header - 4P	
102	1102 7625	Connector - TX24-80R-LT-N1	
103	1102 7785	Connector - 57RE40360830BD29B	
104	1102 8153	Connector - FCN-568P068-G/05A-V4	
105	1102 8329	Connector - Usb - UBB-4R-D14C	
106	1102 8356	Connector - FX2M1B-44P-1.27DSL	
107	1102 8357	Connector - 52777-0809	
108	1102 8829	Connector - DM-1D4-N3210	
109	1102 8832	Connector - DM-3D4-B3210	
110	1104 0588	DIP Socket - 28p	
111	1204 1542	DIP Switch	
112	1401 0821	Diode - 1SS133	
113	1403 0996	LED - SML-310VT	
114	1407 4919	IC - 74VHCT244 TSSOP	
115	1407 4920	IC - 74VHCT245 TSSOP	
116	1407 5274	CMOS Logic - 74LVCH162244A TSSOP	
117	1407 5275	CMOS Logic - 74LVCHR16245A TSSOP	
118	1407 5278	Clock Generator - ICS9148BF-17	
119	1407 5322	IC - CMOS LOGIC SN74LVC161284DGG	
120	1407 5337	CMOS Logic - 74LVCH16373A TSSOP	
121	1407 5497	RAM - FM1808-120-P	
122	1407 5555	IC - SN74AHCT126PW	
123	1407 5678	USB - KL5KUSB200CCFP	
124	1407 5680	CPU - RM5231A-250H-REV1.3	
125	1408 1273	IC - RN5VD28A	
126	1408 1398	Detector - RN5VD42A	
127	1408 1507	Regulator - PQ05VY3H3Z	
128	1408 1639	IC - RN5VD14A	
129	1503 0842	Oscillator - 14.31818MHZ	
130	1601 7752	Resistor Array - 10K Ω \pm 5%	
131	1601 7760	Resistor Array	
132	1601 7867	Resistor - 33 Ω \pm 5% 1/16W	
133	1601 7871	Resistor - 68 Ω \pm 5% 1/16W	
134	1601 7877	Resistor Array 4.7k Ω \pm 5% 1/32W	
135	1601 7887	Resistor Array - 10K Ω \pm 5% 1/32W	

Index No.	Part No.	Description	Q'ty Per Assembly
136	1601 7898	Resistor Array	
137	1604 2427	Capacitor - 220UF,±20%,25V	
138	1604 4802	Capacitor - 330µF±20% 35V	
139	1604 4993	Capacitor - 100µF±20% 4V	
140	1605 0971	Ceramic Capacitor	
141	1605 1116	Capacitor - 0.1µF±10% 10V	
142	1605 1199	Capacitor - 8PF ±0.5pF 50V	
143	1605 1200	Capacitor - 10PF ±0.5pF:50V	
144	1605 1202	Capacitor - 15pF ±5% 50V	
145	1605 1205	Capacitor - 33pF ±5% 50V	
146	1605 1212	Capacitor - 470pF ±10% 50V	
147	1605 1214	Capacitor - 1000pF ±10% 50V	
148	1605 1224	Capacitor 4.7µF±10% 6.3V	
149	1605 1238	Capacitor - 2.2µF±10% 6.3V	
150	1605 1240	Capacitor - 0.01µF±10% 25V	
151	1605 1242	Capacitor - 1µF±10% 6.3V	
152	1607 1014	EMI Filter - BLM11P600SPB	
153	1607 1019	Filter - ACB1608M-040	
154	1607 1051	Filter - FBMJ2125HS420	
155	1607 1206	Filter - ACC2012I-250	
156	1607 1285	Filter - NFM2012P13C105F	
157	1607 1362	Coil - ACM3225-800-2P	
158	1610 1506	Resistor - 1K Ω ±0.5% 1/16W	
159	1610 1616	Resistor - 330 Ω ±0.5% 1/16W	
160	1632 0000	Resistor - 0 Ω 1/8W	
161	1634 0000	Resistor - 0 Ω 1/16W	
162	1640 1221	Capacitor - 220µF±20% 16V	
163	1642 1101	Capacitor - 100µF±20% 16V	
164	1650 4100	Resistor - 10Ω ±5% 1/10W	
165	1650 4101	Resistor - 100Ω±5%1/10W	
166	1650 4102	Resistor - 1KΩ ±5% 1/10W	
167	1650 4103	Resistor - 10KΩ ±5% 1/10W	
168	1650 4105	Resistor - 1MΩ ±5% 1/10W	
169	1650 4109	Resistor - 1Ω ±5% 1/10W	
170	1650 4122	Chip Resistor - 1.2kΩ ±5% 1/10W	

Index No.	Part No.	Description	Q'ty Per Assembly
171	1650 4152	Resistor - 1.5KΩ ±5% 1/10W	
172	1650 4153	Resistor - 15K Ω ±5% 1/10W	
173	1650 4229	Resistor - 2.2 Ω ±5% 1/10W	
174	1650 4303	Resistor - 30K Ω ±5% 1/10W	
175	1650 4330	Chip Resistor - 33Ω ±5% 1/10W	
176	1650 4331	Resistor - 330Ω±5%1/10W	
177	1650 4390	Resistor - 39 Ω -5% 1/10W	
178	1650 4470	Resistor - 47Ω±5%1/10W	
179	1650 4471	Resistor - 470Ω±5%1/10W	
180	1650 4512	Resistor - 5.1KΩ±5%1/10W	
181	1650 4562	Resistor - 5.6KΩ ±5% 1/10W	
182	1650 4680	Resistor - 68Ω±5%1/10W	
183	1650 4683	Resistor - 68KΩ ±5% 1/10W	
184	1650 4820	Resistor - 82Ω ±5% 1/10W	
185	1654 1242	Resistor - 12.4K Ω ±1% 1/10W	
186	1654 8200	Resistor - 820Ω±1%1/10W	
187	1660 2101	Capacitor - 100pF - ±10% - 50V	
188	1660 4103	Capacitor - 10000pF - ±10% - 50V	
189	1660 8104	Capacitor - 0.1µF+80-20% 25V	
190	1906 0016	IC - LH28F160BJE-BTL70	
191	1906 0017	Flash Memory - Lh28f320bj-pbtI70	
192	1907 0017	SDRAM -128m 2mx16x4 100mhz G2	

15.ENGIN BOARD (G073/G074)

CAPACITOR

SYMBOL NO.	INDEX NO.	SYMBOL NO.	INDEX NO.	SYMBOL NO.	INDEX NO.	SYMBOL NO.	INDEX NO.	SYMBOL NO.	INDEX NO.	SYMBOL NO.	INDEX NO.	SYMBOL NO.	INDEX NO.
C1	140	C11	143	C21	178	C31	181	C41	204	C51	184	C61	205
C2	141	C12	143	C22	178	C32	181	C42	204	C52	184	C62	205
C3	141	C13	144	C23	181	C33	181	C43	204	C53	184	C63	205
C4	141	C14	202	C24	179	C34	181	C44	204	C54	184	C64	205
C5	141	C15	202	C25	179	C35	181	C45	204	C55	205	C65	205
C6	205	C16	203	C26	176	C36	204	C46	204	---	---	C66	205
C7	142	C17	176	C27	180	C37	204	C47	204	C57	205	C67	205
C8	142	C18	176	C28	181	C38	204	C48	204	C58	205	C68	205
C9	142	C19	176	C29	181	C39	204	C49	204	C59	205	C69	205
C10	142	C20	177	C30	181	C40	204	C50	183	C60	205	C70	205

CAPACITOR

SYMBOL NO.	INDEX NO.	SYMBOL NO.	INDEX NO.	SYMBOL NO.	INDEX NO.	SYMBOL NO.	INDEX NO.
C71	205	C81	205	C91	205	C105	204
C72	205	C82	205	C92	205	C106	205
C73	205	C83	205	C93	205	C108	205
C74	205	C84	205	C94	205	C109	204
C75	205	C85	205	C95	205	C113	181
C76	205	C86	205	C96	205	C117	181
C77	205	C87	205	C97	205	C118	181
C78	205	C88	205	C98	205	C119	205
C79	205	C89	205	C99	204	C121	181
C80	205	C90	205	C100	204	C122	181

CONNECTOR

SYMBOL NO.	INDEX NO.	SYMBOL NO.	INDEX NO.
C123	184	CN1	115
C124	204	CN2	106
		CN5	102
		CN6	110
		CN7	111
		CN9	102
		CN10	101
		CN11	101
		CN12	107
		CN13	109
		CN14	108
		CN15	114
		CN16	112
		CN19	117
		CN20	105
		CN22	116
		CN23	104

15.ENGIN BOARD (G073/G074)

DIODE

SYMBOL NO.	INDEX NO.
D1	123
D2	123
D3	123

FILTER

SYMBOL NO.	INDEX NO.
FIL6	145
FIL7	145
FIL8	147
FIL9	147
FIL10	147
FIL11	147
FIL12	147
FIL13	147
FIL14	147
FIL15	147

IC

SYMBOL NO.	INDEX NO.
IC1	125
IC2	2
IC3	1
IC4	186
IC5	130
(Socket)	118
IC6	131
IC7	126
IC8	125
IC9	128
IC10	129

JP

SYMBOL NO.	INDEX NO.
JP1	170
JP3	170
JP6	170
JP7	170
JP8	170
JP10	170
JP11	170
JP14	170
JP18	170
JP19	170

JP

SYMBOL NO.	INDEX NO.
JP27	170
JP28	170
JP29	170
JP30	170
JP31	170
JP32	170
JP33	170
JP34	170
JP35	170
JP36	170

L

SYMBOL NO.	INDEX NO.
L1	146

OSC

SYMBOL NO.	INDEX NO.
OSC1	133

Q

SYMBOL NO.	INDEX NO.
Q1	127
Q2	120
Q3	120
Q4	121
Q5	122

RESISTOR

SYMBOL NO.	INDEX NO.
R1	150
R2	150
R3	151
R4	151
R5	151
R6	151
R7	151
R8	151
R9	151
R10	151

SYMBOL NO.	INDEX NO.
R11	151
R12	151
R13	151
R14	152
---	---
R16	152
R17	152
R18	152
R19	152
R20	152

SYMBOL NO.	INDEX NO.
R21	172
R22	152
R23	152
R24	152
R25	152
R26	152
R27	152
R28	152
R29	152
R30	152

SYMBOL NO.	INDEX NO.
R31	152
R32	152
R33	152
R34	152
R35	152
R36	152
---	---
R38	153
R39	153
---	---

SYMBOL NO.	INDEX NO.
---	---
---	---
R43	153
---	---
---	---
R46	153
R47	153
---	---
R49	153
R50	153

SYMBOL NO.	INDEX NO.
R51	168
R52	153
R53	153
R54	153
R55	153
R56	154
R57	154
R58	155
R59	155
R60	155

15.ENGIN BOARD (G073/G074)

RESISTOR

SYMBOL NO.	INDEX NO.
R61	156
R62	157
R63	157
R64	157
R65	159
R66	159
R67	159
R68	159
R69	159
R70	159

SYMBOL NO.	INDEX NO.
R71	158
R72	160
R73	161
R74	151
R75	151
R76	151
R77	162
---	---
R79	163
---	---

SYMBOL NO.	INDEX NO.
R81	164
R82	164
R83	164
R84	164
---	---
---	---
R87	164
R88	164
R89	164
R90	152

SYMBOL NO.	INDEX NO.
R91	165
R92	165
---	---
R94	166
R95	166
R96	166
R97	158
R98	169
R99	170
R100	170

SYMBOL NO.	INDEX NO.
R101	159
R102	156
R103	152
R104	153
---	---
---	---
R107	151
R108	152
R109	153
R110	153

SYMBOL NO.	INDEX NO.
R111	149
R112	148
---	---
R114	170
R115	170
R116	170
R117	170
R118	161
R119	161
R120	161

SYMBOL NO.	INDEX NO.
R121	161
R122	170
R123	188
R124	188
R125	170
R126	171
R127	171
R128	153
R129	161
R130	162

REG

SYMBOL NO.	INDEX NO.
REG1	132

RN

SYMBOL NO.	INDEX NO.
RN1	136
RN2	136
RN3	136
RN4	136
RN5	136
RN6	136
RN7	136
RN8	136
RN9	135
RN10	135

SYMBOL NO.	INDEX NO.
RN11	135
RN12	137
RN13	137
RN14	137
RN15	136
RN16	136
RN17	136
RN18	136
RN19	136
RN20	136

SYMBOL NO.	INDEX NO.
RN21	139
RN22	139
RN23	139
RN24	142
RN25	142
RN26	142
RN27	142
RN28	142
RN29	142
RN30	142

SYMBOL NO.	INDEX NO.
RN31	142
RN32	142
RN33	142

SW

SYMBOL NO.	INDEX NO.
SW1	119

ZD

SYMBOL NO.	INDEX NO.
ZD1	124

TB

SYMBOL NO.	INDEX NO.
TB1	113

15.ENGIN BOARD (G073/G074)


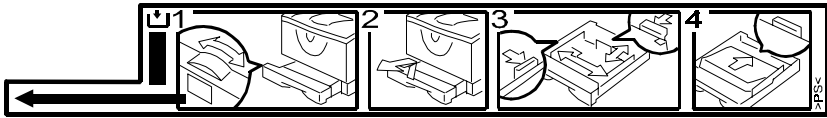
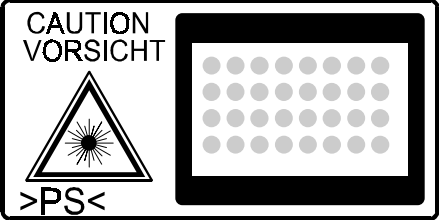
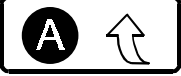
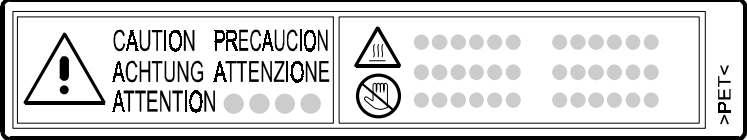
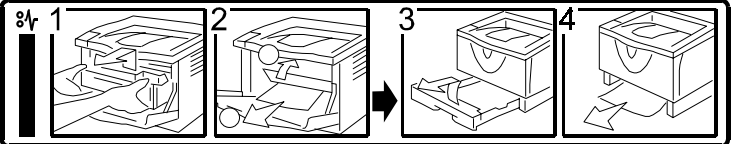
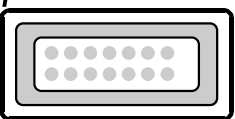
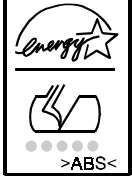
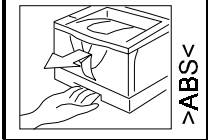
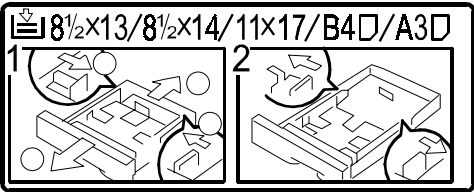
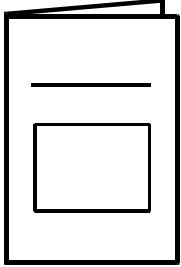
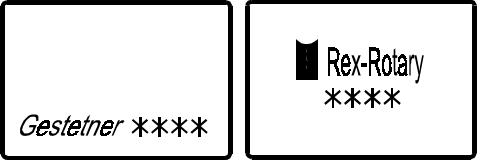



Index No.	Part No.	Description	Q'ty Per Assembly
*	G076 5121	Engine Board - US	1
*	G076 5122	Engine Board - EUR	1
1	GY20 0010	IC - EMA5	1
2	G052 5354	IC - RL5C580	1

Index No.	Part No.	Description	Q'ty Per Assembly
101	1102 4201	Connector - 2P	
102	1102 4202	Connector - 3P	
103	1102 4203	CT Header - 4P	
104	1102 4205	CT Header - 6P	
105	1102 4207	Connector - 8P	
106	1102 4212	CT Header - 15P	
107	1102 4619	Connector - 2P	
108	1102 4631	CT Connector - 2p	
109	1102 4643	CT Connector - 2p	
110	1102 5344	Connector - 16P	
111	1102 5409	Connector - 20P	
112	1102 5411	Connector - 24P	
113	1102 5943	Connector - 2P	
114	1102 6398	Connector - 2P	
115	1102 6592	Connector - 8P	
116	1102 7626	Connector - TX25-80P-LT-N1	
117	1102 8299	Connector - 52610-1017	
118	1104 0764	IC Socket - 8 PIN	
119	1204 2415	DIP Switch - DSS802	
120	1400 0688	Transistor - DTC143ZUA	
121	1401 0972	Transistor - 2SB1260	
122	1401 1111	FETY - 2SJ530(S)	
123	1402 1336	Diode - 1SS355	
124	1402 1512	Diode - MTZJ16A	
125	1407 2187	TTLIC - SN74LS07NS	
126	1407 2218	TTLIC - SN74LS06NS	
127	1407 2219	IC - TD62003AP	
128	1407 3357	Comparator - BA10393F	
129	1407 5161	CPU- HD64F2633WF25	
130	1407 5271	EEPROM - M24C02-BN6	
131	1408 1223	Ditector - RN5VD42C	
132	1408 1295	IC - UPC2933T	
133	1503 0697	Crystal Oscilator MA-406 20Mhz	
134	1601 7752	Resistor Array - 10K Ω \pm 5%	
135	1601 7791	Resistor Array - 1K Ω \pm 5%	

Index No.	Part No.	Description	Q'ty Per Assembly
136	1601 7866	Resistor Array - 150Ω ±5%	
137	1601 7875	Resistor Array - 150Ω ±5%	
138	1601 7898	Resistor Array	
139	1601 7985	Resistor Array - 820Ω ±5%	
140	1604 4730	Capacitor - 47μF±20% 50V	
141	1604 4733	Capacitor - 100μF±20% 10V	
142	1605 0928	Capacitor - 0.1μF16V ±10%	
143	1605 0976	Capacitor - 1μF+80% -20% 10V	
144	1605 1081	Capacitor - 10 μF+80-20% 25V	
145	1607 1076	Filter - MMZ1608Y152B	
146	1607 1196	Inductor -220uh ±20% 0.33A	
147	1607 1241	Filter - MMZ1608R102C	
148	1610 1409	Chip Resistor - 6.8Ω ±5%	
149	1610 1489	Chip Resistor - 300oh, ±5%	
150	1611 8102	Resistor - 1KΩ ±5% 1/4W	
151	1630 4101	Resistor - 100 Ω ±5% 1/16W	
152	1630 4102	Resistor - 1.0KΩ ±5% 1/16W	
153	1630 4103	Resistor - 10KΩ ±5% 1/16W	
154	1630 4122	Resistor - 1.2K Ω 5% 1/16W	
155	1630 4151	Resistor - 150 Ω ±5% 1/16W	
156	1630 4153	Resistor - 15KΩ ±5% 1/16W	
157	1630 4201	Resistor - 200 Ω ±5% 1/16W	
158	1630 4202	Resistor - 2K Ω ±5%-	
159	1630 4222	Resistor - 2.2K Ω ±5%	
160	1630 4302	Resistor - 3.0k Ω - ±5% - 1/16W	
161	1630 4330	Resistor - 33 Ω ±5% 1/8W	
162	1630 4333	Resistor - 33K Ω ±5% 1/16W	
163	1630 4470	Resistor - 470 Ω ±5% 1/16W	
164	1630 4472	Resistor - 4.7KΩ ±5% 1/16W	
165	1630 4681	Resistor - 680 Ω ±5% 1/16W	
166	1630 4821	Resistor - 820 Ω ±5% 1/16W	
167	1634 0000	Resistor - 0 Ω 1/16W	
168	1634 1002	Resistor - 10 Ω ±5% 1/16W	
169	1634 4301	Resistor - 4.3KΩ ±1% 1/8W	
170	1634 6801	Resistor - 6.8KΩ ±1% 1/8W	

Index No.	Part No.	Description	Q'ty Per Assembly
171	1650 4123	Resistor - 12KΩ±5%1/10W	
172	1650 4300	Chip Resistor - 30 Ω ±5% 1/10W	
173	1650 4390	Resistor - 39 Ω -5% 1/10W	
174	1660 0100	Capacitor - 10PF ±0.5pF 50V	
175	1660 2101	Capacitor - 100pF - ±10% - 50V	
176	1660 2220	Capacitor - 22pF ±20% 35V	
177	1660 2221	Capacitor - 220pF +80-20% 50V	
178	1660 2330	Capacitor - 33pF - ±5% - 50V	
179	1660 2331	Capacitor - 330pF ±5% 50V	
180	1660 2471	Capacitor - 470pF - ±5% - 50V	
181	1660 4102	Capacitor - 1000pF ±10% 50V	
182	1660 4103	Capacitor - 10000pF - ±10% - 50V	
183	1660 4332	Capacitor - 3300pF - ±10% - 50V	
184	1660 7104	Capacitor - 100000pF 50V	
185	1660 8104	Capacitor - 0.1μF+80-20% 25V	
186	1902 0056	RAM - 256k X870ns G14	

16.DECAL AND DOCUMENT (G073/G074)

<p>1</p> 	<p>5</p> 			
<p>2</p> 	<p>6</p> 	<p>8</p> 		
<p>3</p> 		<p>7</p> 	<p>9</p> 	<p>13</p> 
<p>4</p>  <p>8 1/2x13/8 1/2x14/11x17/B4D/A3D</p>	<p>11</p> 			<p>12</p> 
				
				

16.DECAL AND DOCUMENT (G073/G074)

Index No.	Part No.	Description	Q'ty Per Assembly
1	1005 0890	Decal - TUV	1
2	G029 1980	Decal - LD	1
3	G052 1551	Decal - Paper Jam	1
4	G052 3078	Decal - Tray Extension	1
5	G052 3079	Decal - Paper Set	1
6	G052 3351	Decal - Registration	1
7	G029 1983	Decal-laserclass1-secc	1
8	G052 4693	Decal - High Temperature	1
9	G056 2381	Decal - Energy Star/postsript	1
11	G074 8617	Setup Guide (Ricoh)	1
11	G074 8647	Setup Guide (Savin)	1
12	G073 2371	Model Name Plate - G073 RIC US	1
12	G073 2372	Model Name Plate - G073 RIC EUR/Asia	1
12	G073 2373	Model Name Plate - G073 Savin	1
12	G073 2374	Model Name Plate - G073 Gestetner	1
12	G073 2375	Model Name Plate - G073 Nashuatec	1
12	G073 2376	Model Name Plate - G073 Rexrotary	1
12	G074 2370	Model Name Plate - G074 RIC USA	1
12	G074 2371	Model Name Plate - G074 RIC EUR/Asia	1
12	G074 2372	Model Name Plate - G074 Savin	1
12	G074 2373	Model Name Plate - G074 Gestetner	1
12	G074 2374	Model Name Plate - G074 Nashuatec	1
12	G074 2375	Model Name Plate - G074 Rexrotary	1
13	G052 2354	Decal - Cassette	1

Index No.	Part No.	Description	Q'ty Per Assembly

Parts Index

Parts Index

Part No.	Description	Page and Index No.
G073 2371	Model Name Plate - G073 RIC US	39- 12
G073 2371	Model Name Plate - G073 RIC US	3- 20
G073 2372	Model Name Plate - G073 RIC EUR/Asia	3- 20
G073 2372	Model Name Plate - G073 RIC EUR/Asia	39- 12
G073 2373	Model Name Plate - G073 Savin	3- 20
G073 2373	Model Name Plate - G073 Savin	39- 12
G073 2374	Model Name Plate - G073 Gestetner	3- 20
G073 2374	Model Name Plate - G073 Gestetner	39- 12
G073 2375	Model Name Plate - G073 Nashuatec	3- 20
G073 2375	Model Name Plate - G073 Nashuatec	39- 12
G073 2376	Model Name Plate - G073 Rexrotary	39- 12
G073 2376	Model Name Plate - G073 Rexrotary	3- 20
G073 5712	Controller Board - G073 Model	23- 5
G073 5712	Controller Board - G073 Model	29- *
G073 5902	IC - ASIC - SIMAC5	33- 5
G073 5902	IC - ASIC - SIMAC5	29- 5

Part No.	Description	Page and Index No.
G029 1975	Cylindrical Lens	5- 7
G029 1980	Decal - LD	5- 2
G029 1980	Decal - LD	39- 2
G029 1983	Decal - Laser Class1 - SECC	25- 19
G029 1983	Decal-laserclass1-secc	39- 7
G029 2608	Base Pad	15- 5
G029 2609	Cassette Protection	15- 9
G029 2657	Compression Spring	7- 17
G029 2705	Extention Tray	3- 21
G029 2708	Pad	3- 23
G029 2757	Spring - 2.75n	7- 16
G029 2767	By-pass Feed Cover	7- 10
G029 4159	Screw - M3x13	9- 23
G030 1052	Rubber Foot	13- 26
G052 1018	Paper Transport Guide	13- 16
G052 1019	Pin - Transport Guide	13- 27
G052 1021	PSU Top Cover	25- 13
G052 1022	Fusing Stopper Plate	11- 20
G052 1027	Spring Plate - Duplex Rail	11- 27
G052 1041	Paper Exit Bracket	11- 10
G052 1042	Fusing Exit Feeler	11- 5
G052 1043	Paper Exit Feeler	11- 9
G052 1044	Exit Feeler Holder	11- 3
G052 1046	Spring - Fusing Exit Feeler	11- 6
G052 1048	Middle Bushing - Paper Exit	11- 8
G052 1049	Bushing - Paper Exit	11- 12
G052 1056	Fusing Drawer Bracket	11- 2
G052 1087	Junction Gate Pawl	11- 15
G052 1088	Gate Pawl Spring	11- 14
G052 1102	Drive Unit Bracket	21- 20
G052 1103	Gear - PCU	21- 18
G052 1104	Gear - Fusing 1	21- 8
G052 1105	Gear - Fusing 2	21- 19
G052 1106	Gear - Fusing 3	21- 15
G052 1107	Gear - Pulley - Fusing	21- 14

Part No.	Description	Page and Index No.
G052 1108	Gear - Paper Feed 1	21- 7
G052 1109	Gear - Paper Feed 2	21- 9
G052 1110	Gear - Paper Feed 3	21- 12
G052 1111	Gear - Paper Feed 4	21- 16
G052 1112	Gear - Paper Feed 5	21- 11
G052 1113	Gear - Paper Feed 6	21- 10
G052 1120	Spring - Paper Exit Release	21- 13
G052 1121	Drive Belt	21- 17
G052 1123	Spacer - Drive Unit	21- 21
G052 1150	Main Motor - DC20W	21- 1
G052 1212	Clip	23- 10
G052 1217	Shielding Plate - EUR/Asia	5- 16
G052 1251	Charge Terminal	25- 7
G052 1252	Drum Terminal	25- 6
G052 1253	Development Terminal	13- 22
G052 1254	Inner Terminal - Charge	25- 8
G052 1255	Charge Terminal - High Voltage	25- 9
G052 1256	Development Terminal - High Voltage	13- 21
G052 1261	Ground Plate - Option Tray	23- 11
G052 1262	Ground Plate - Upper Option	11- 13
G052 1272	Rear Cover SW Bracket	25- 11
G052 1273	Spring - Micro Switch	25- 12
G052 1274	Micro Switch Lever	11- 1
G052 1275	Micro Switch Cover	25- 10
G052 1503	Top Cover	3- 26
G052 1504	Paper Tray Extension	3- 39
G052 1505	Paper Exit Cover	3- 35
G052 1516	Lock Lever	3- 3
G052 1517	LD Shutter Feeler	3- 6
G052 1518	Spring - Lock Lever	3- 2
G052 1541	Spring - Receptacle	3- 12
G052 1542	Collar - Receptacle	3- 11
G052 1543	Step Screw	3- 7
G052 1544	Spring Plate - Receptacle	3- 10
G052 1545	Harness Cover	3- 1

Part No.	Description	Page and Index No.
G052 1551	Decal - Paper Jam	39- 3
G052 1551	Decal - Paper Jam	3- 13
G052 1563	Rear Cover	3- 36
G052 1564	Left Cover	3- 5
G052 1566	Front Cover	3- 14
G052 2354	Decal - Cassette	15- 19
G052 2354	Decal - Cassette	39- 13
G052 2702	Laser Unit Ass'y	5- *
G052 2760	LD Unit	5- 10
G052 2763	LD Holder	5- 8
G052 2764	Spring - LD Unit	5- 9
G052 2770	Polygon Mirror Motor	5- 3
G052 2771	Right DTL Holder	5- 18
G052 2772	Left DTL Holder	5- 20
G052 2773	Cylindrical Lens Holder	5- 6
G052 2774	Mirror Clamp	5- 21
G052 2777	Spring Holder - Shield Glass	5- 12
G052 2780	Shutter - LD	5- 11
G052 2788	Polygon Motor Cover	5- 5
G052 2789	Shield - Polygon Scanner	5- 25
G052 2791	Sync Detector Holder	5- 26
G052 2796	Cover:optical Housing	5- 4
G052 3055	Left Side Fence	15- 4
G052 3056	Right Side Fence	15- 8
G052 3057	End Fence	15- 6
G052 3061	Paper Tray - Front	15- 15
G052 3062	Paper Tray - Rear	15- 7
G052 3078	Decal - Tray Extension	39- 4
G052 3078	Decal - Tray Extension	15- 17
G052 3079	Decal - Paper Set	39- 5
G052 3079	Decal - Paper Set	15- 16
G052 3080	Pin - Paper Size Dial	15- 12
G052 3081	Right Cassette Rail	13- 24
G052 3082	Left Cassette Rail	13- 1
G052 3083	Spring - Bottom Plate	15- 2

Part No.	Description	Page and Index No.
G052 3085	Paper Size Dial - US	15- 11
G052 3095	Paper Size Dial - EUR/asia	15- 11
G052 3100	Stay - Paper Feed	9- 7
G052 3101	Shaft - Paper Feed	7- 2
G052 3104	Paper End Feeler	9- 8
G052 3105	Near End Feeler	9- 9
G052 3106	Bushing - Paper Feed Roller	7- 5
G052 3109	Film - Paper Feed Guide	7- 7
G052 3112	Paper Feed Roller	7- 6
G052 3114	Sheet Cassette	15- 18
G052 3128	Bushing - Paper Feed Roller	7- 18
G052 3135	Friction Pad	15- 13
G052 3140	Magnetic Clutch Assembly	7- 4
G052 3141	Paper Tray Mylar	15- 20
G052 3142	Right Film - Paper Feed Guide	7- 3
G052 3254	Registration Feeler	13- 12
G052 3257	Right Bushing - Registration	9- 10
G052 3258	Left Bushing - Registration	9- 1
G052 3266	Upper Registration Guide	9- 15
G052 3267	Film - Registration	9- 13
G052 3272	Bypass Front Cover - US	3- 18
G052 3273	Bottom Plate - Bypass	3- 25
G052 3276	Right Side Fence - Bypass	3- 16
G052 3277	Left Side Fence - Bypass	3- 15
G052 3278	Spring - Bypass	3- 17
G052 3280	Frame - Bypass Feed	7- 9
G052 3286	Feeler - Bypass	7- 8
G052 3288	Bypass Feed Roller	7- 11
G052 3290	Separation Pad - Bypass	7- 13
G052 3294	Paper Transport Guide	13- 10
G052 3297	Spring Clutch - Bypass	21- 6
G052 3303	Paper Transport Roller	7- 14
G052 3304	Spring Plate - Paper Transport	7- 15
G052 3306	Transport Roller Guide	13- 9
G052 3307	Transport Guide Mylar	13- 11

Part No.	Description	Page and Index No.
G052 3323	Registration Sensor Bracket	13- 19
G052 3332	Paper Transport Roller	7- 12
G052 3335	Ground Plate - Paper Feed	9- 6
G052 3336	Ground Plate - Registration	9- 5
G052 3337	Ground Plate - Drive	9- 4
G052 3338	Ground Plate - Registration Guide	25- 2
G052 3341	Sub Tray	3- 22
G052 3345	Registration Guide Sheet1	13- 8
G052 3346	Registration Guide Sheet2	13- 15
G052 3351	Decal - Registration	39- 6
G052 3351	Decal - Registration	9- 14
G052 3353	Shaft Bearing	9- 24
G052 3356	Sheet - Soundproof	3- 4
G052 3388	Solenoid - DC24V	21- 5
G052 3390	Toner End Sensor	9- 17
G052 3396	Spring - Toner End Sensor	9- 18
G052 3522	Discharge Lamp	11- 25
G052 3543	Thermistor - 103AT-2 15W	5- 15
G052 3616	Transfer Roller	13- 3
G052 3618	Positioning Roller - Transfer	13- 5
G052 3621	Separation Plate	13- 18
G052 3623	Transfer Terminal	25- 5
G052 3624	Separation Terminal	13- 23
G052 3624	Separation Terminal	13- 13
G052 3625	Right Bushing - Transfer	13- 29
G052 3626	Left Bushing - Transfer	13- 6
G052 3627	Spring - Transfer	13- 7
G052 3628	Ground Plate - Paper Transport	13- 14
G052 3629	Paper Transport Terminal	13- 13
G052 3641	Transfer Guide Sheet	13- 28
G052 3644	Transfer Roller Guide	13- 2
G052 4602	Terminal Plate - Thermostat	17- 12
G052 4611	Thermostat	17- 11
G052 4612	Hot Roller	17- 10
G052 4615	Left Fusing Lamp Bracket	17- 3

Part No.	Description	Page and Index No.
G052 4616	Right Fusing Lamp Bracket	17- 13
G052 4617	Heater Terminal	17- 2
G052 4618	Bearing 30x42x7	17- 8
G052 4619	Hot Roller Gear	17- 7
G052 4622	Spring - Fusing Stripper	17- 19
G052 4624	Hot Roller Stripper	17- 18
G052 4625	Harness Holder - Fusing	17- 25
G052 4629	Fusing Upper Frame	17- 23
G052 4635	Fusing Exit Guide	17- 20
G052 4639	Exit Roller Holder	17- 16
G052 4642	Discharge Brush - Fusing	17- 22
G052 4644	Upper Fusing Entrance Guide	17- 9
G052 4647	Spring Plate - Fusing Exit	17- 15
G052 4650	Fusing Lower Frame	19- 12
G052 4656	Fusing Pressure Roller	19- 14
G052 4662	Pressure Roller Lever	19- 10
G052 4664	Spring - Fusing	19- 9
G052 4665	Bushing - Pressure Roller	19- 11
G052 4673	Gear - Paper Exit	19- 1
G052 4674	Fusing Exit Roller	19- 3
G052 4676	Gear - Fusing Idler	19- 5
G052 4677	Gear - Fusing Idler	19- 8
G052 4681	Fusing Entrance Guide	19- 13
G052 4690	Ground Plate - Fusing	17- 21
G052 4691	Ground Plate - Fusing Pressure	19- 6
G052 4692	Discharge Brush - Pressure	19- 7
G052 4693	Decal - High Temperature	39- 8
G052 4693	Decal - High Temperature	19- 4
G052 4695	Harness Cover	17- 27
G052 4696	Right Fusing Lock Lever	11- 23
G052 4697	Left Fusing Lock Lever	11- 22
G052 4698	Fusing Left Cover	17- 1
G052 4699	Fusing Right Cover	17- 14
G052 4700	External Circlip	17- 6
G052 4850	Paper Exit Roller	11- 7

Part No.	Description	Page and Index No.
G052 4855	Pulley - Paper Exit	11- 11
G052 4871	Left Holder - Exit Driven Roller	3- 32
G052 4872	Right Holder - Exit Driven Roller	3- 31
G052 4873	Outer Exit Cover Roller	3- 27
G052 4875	Inner Exit Cover Roller	3- 28
G052 4876	Left Spring Plate	3- 34
G052 4877	Right Spring Plate	3- 33
G052 4886	Discharge Brush - Paper Exit	3- 37
G052 5060	Synchronization Detector	5- 24
G052 5210	PCB - PSU - 120V	25- 15
G052 5211	Power Supply Unit - 230V 135W	25- 15
G052 5300	Power Pack	25- 17
G052 5354	IC - RL5C580	37- 2
G052 5362	Receptacle - 99RH144	3- 8
G052 5400	Interface Harness - Paper Feed	9- 21
G052 5403	Harness - LD Unit	5- 1
G052 5404	Interface Harness - Te Sensor	9- 16
G052 5409	Harness - Main Switch	25- 3
G052 5410	Harness - Interlock	23- 15
G052 5412	Harness - PFU	23- 17
G052 5412	Harness - PFU	9- 22
G052 5413	Harness - Paper Exit - Option	23- 19
G052 5413	Harness - Paper Exit - Option	23- 8
G052 5414	Harness - Duplex	11- 19
G052 5414	Harness - Duplex	21- 2
G052 5414	Harness - Duplex	23- 16
G052 5419	Harness - Power Pack	25- 4
G052 5421	Harness - Power Cord - 230V	25- 18
G052 5421	Harness - Power Cord - 230V	23- 18
G052 5422	Harness - Main SW 230V	25- 3
G052 5425	Harness - Cartridge	3- 9
G052 5428	Harness - Power Cord - 115V	25- 18
G052 5428	Harness - Power Cord - 115V	23- 18
G052 5500	Fusing Drawer - 120V	17- 26
G052 5501	Fusing Thermistor	17- 24

Part No.	Description	Page and Index No.
G052 5510	Fusing Drawer - 230V	17- 26
G052 5520	Drawer Ass'y - Fusing Set 115V	17- 4
G052 5521	Drawer Ass'y - Fusing Set - 230V	17- 4
G052 5544	Fusing Lamp - 120V/750W	17- 5
G052 5545	Fusing Lamp - 230V/750W	17- 5
G056 2381	Decal - Energy Star/Postscript	3- 19
G056 2381	Decal - Energy Star/postscript	39- 9
G056 3271	Bypass Front Cover - Europe/Asia	3- 18
G056 5901	MASK ROM - PCL	29- 1
G056 5901	MASK ROM - PCL	33- 1
G056 6005	HDD Cover	23- 1
G056 6006	IC Card Slot Cover	23- 2
G056 6021	Gasket - UC-3E0595	23- 7
G069 1930	Operation Panel - US	3- 30
G069 1940	Operation Panel - EUR/Asia	3- 30
G069 5911	IC - U2PCI-KL5BUDV002CCFP	29- 2
G069 5911	IC - U2PCI-KL5BUDV002CCFP	33- 2
G069 5935	Oscillator - 48MHZ	29- 3
G069 5935	Oscillator - 48MHZ	33- 3
G069 5993	Hybrid IC - D3117	33- 4
G069 5993	Hybrid IC - D3117	29- 4
G069 6001	Controller Bracket - G074	23- 4
G069 6005	Option Cover	23- 6
G069 6006	Knob Screw	23- 3
G072 6001	Controller Bracket - G073	23- 4
G074 2370	Model Name Plate - G074 RIC USA	3- 20
G074 2370	Model Name Plate - G074 RIC USA	39- 12
G074 2371	Model Name Plate - G074 RIC EUR/Asia	3- 20
G074 2371	Model Name Plate - G074 RIC EUR/Asia	39- 12
G074 2372	Model Name Plate - G074 Savin	3- 20
G074 2372	Model Name Plate - G074 Savin	39- 12
G074 2373	Model Name Plate - G074 Gestetner	39- 12
G074 2373	Model Name Plate - G074 Gestetner	3- 20
G074 2374	Model Name Plate - G074 Nashuatec	39- 12
G074 2374	Model Name Plate - G074 Nashuatec	3- 20

Part No.	Description	Page and Index No.
G074 2375	Model Name Plate - G074 Rexrotary	39- 12
G074 2375	Model Name Plate - G074 Rexrotary	3- 20
G074 5712	Controller Board - G074 Model	23- 5
G074 5712	Controller Board - G074 Model	33- *
G074 8617	Setup Guide (Ricoh)	39- 11
G074 8647	Setup Guide (Savin)	39- 11
G075 1650	Right Cover	3- 29
G075 1651	Louver	3- 40
G075 1652	Upper Cover	3- 38
G076 1025	Right Duplex Rail	11- 24
G076 1026	Left Duplex Rail	11- 26
G076 1211	Engine Board Bracket	23- 13
G076 1216	Engine Board Cover	23- 20
G076 1221	PSU Bracket - 120V	25- 16
G076 1224	PSU Bracket - 230V	25- 16
G076 1241	Controller Bracket	23- 9
G076 3031	Paper Tray Ass'y - US	15- *
G076 3032	Paper Tray Ass'y - EUR/Asia	15- *
G076 3053	Bottom Plate	15- 3
G076 3301	Supporting Plate:stay>manual Fe	13- 25
G076 3315	Driven Registration Roller	9- 11
G076 3316	Registration Roller	9- 12
G076 3619	Gear - Transfer Roller	13- 4
G076 3622	Separation Plate Cover	13- 17
G076 5121	Engine Board - USA	23- 14
G076 5121	Engine Board - USA	37- *
G076 5122	Engine Board - EUR	37- *
G076 5122	Engine Board - EUR	23- 14
G076 5420	Inlet - 230V	11- 17
G076 5423	Fusing Harness - 120V	11- 21
G076 5424	Fusing Harness - 230V	11- 21
G076 5501	Power Cord - 120V	11- 16
G800 3035	Push SW - Paper Size	23- 12
G800 3129	Cassette Arm	15- 1
G800 3133	Side Fence Gear	3- 24

Part No.	Description	Page and Index No.
G800 3133	Side Fence Gear	15- 10
G800 3147	Pressure Spring - 2.8n	15- 14
G800 4851	Bushing	19- 2
G800 4854	Exit Roller	17- 17

Part No.	Description	Page and Index No.
N607 4525	Coil - RITL-9704	25- 14

Part No.	Description	Page and Index No.
AA06 3539	Spring - Registration Roller	9- 2
AA08 2047	Bushing - 8x16x7	9- 20
AA08 2058	Bushing - 6x10x9mm	7- 19
AW02 0056	Photointerruptor - EE-SX4235A-P1	7- 1
AW02 0119	Photointerruptor - LG-248L1	9- 19
AW02 0119	Photointerruptor - LG-248L1	13- 20
AW02 0119	Photointerruptor - LG-248L1	11- 4
AX20 0208	Magnetic Clutch - Z45	9- 3
AX20 0209	Magnetic Clutch - Z25	21- 4
GC01 5005	Shield Glass - Polygon Motor	5- 17
GC01 5006	Shield Glass	5- 13
GC02 5010	DTL	5- 19
GC03 0026	Mirror - 1	5- 14
GC03 0027	Mirror - 2	5- 23
GC03 0028	Mirror - Sync Detector	5- 22
GX64 0018	Cooling Fan - DC 24V/4.3W	25- 1
GY20 0010	IC - EMA5	37- 1
GZ00 0003	Power Cord - 230V	11- 18

Part No.	Description	Page and Index No.
0353 0080Z	Philips Trass Head Screw - M3x8	23-107
0450 3008B	Tapping Screw - M3x8	23-105
0450 3008B	Tapping Screw - M3x8	25-102
0450 3008B	Tapping Screw - M3x8	17-102
0450 3008B	Tapping Screw - M3x8	19-101
0450 3008B	Tapping Screw - M3x8	11-101
0450 3008B	Tapping Screw - M3x8	9-101
0450 3008B	Tapping Screw - M3x8	21-103
0450 3008B	Tapping Screw - M3x8	13-101
0450 3008B	Tapping Screw - M3x8	5-103
0450 3008B	Tapping Screw - M3x8	3-101
0450 3008H	Tapping Screw - M3x8	23-109
0450 3008H	Tapping Screw - M3x8	25-103
0450 3010B	Tapping Screw - M3x10	7-101
0450 3010B	Tapping Screw - M3x10	21-102
0450 3010B	Tapping Screw - M3x10	19-102
0450 3010B	Tapping Screw - M3x10	23-108
0450 3010B	Tapping Screw - M3x10	17-105
0450 3010B	Tapping Screw - M3x10	13-104
0450 3012B	Tapping Screw - 3x12	17-101
0450 3012B	Tapping Screw - 3x12	5-104
0450 3016B	Tapping Screw - M3x16	23-103
0450 4010B	Tapping Screw - 4x10	11-102
0450 4010B	Tapping Screw - 4x10	3-103
0450 4010B	Tapping Screw - 4x10	13-103
0450 4010B	Tapping Screw - 4x10	21-101
0450 4035B	Philips Tapping Screw - M4x35	25-101
0451 3006B	Tapping Screw - M3x6	13-102
0451 3006B	Tapping Screw - M3x6	7-103
0451 3006B	Tapping Screw - M3x6	23-106
0451 3006H	Tapping Screw - 3x6	3-102
0451 3008B	Tapping Screw - M3x8	25-115
0451 3014B	Tapping Screw - M3-14	25-104
0451 3014B	Tapping Screw - M3-14	11-103
0451 4006H	Tapping Screw - M4x6	23-102

Part No.	Description	Page and Index No.
0451 4006H	Tapping Screw - M4x6	25-116
0712 0030B	Hexagon Nut - M3	5-101
0802 5276	Tapping Screw With Washer - M3x6	25-110
0805 0088	Retaining Ring - M6	9-102
0805 0089	Retaining Ring - M4	7-102
0805 0100	Retaining Ring - M2.5	9-103
0950 4006B	Screw - M4X6	11-105
0954 3008B	Philips Screw - M3x8	17-104
0954 3010B	Philips Screw - M3x10	17-103
1005 0808	Controller Guide Rail	23-101
1005 0890	Decal - TUV	39- 1
1102 4201	Connector - 2P	37-101
1102 4202	Connector - 3P	37-102
1102 4203	CT Header - 4P	37-103
1102 4203	CT Header - 4P	29-101
1102 4203	CT Header - 4P	33-101
1102 4205	CT Header - 6P	37-104
1102 4207	Connector - 8P	37-105
1102 4212	CT Header - 15P	37-106
1102 4619	Connector - 2P	37-107
1102 4631	CT Connector - 2p	37-108
1102 4643	CT Connector - 2p	37-109
1102 5344	Connector - 16P	37-110
1102 5409	Connector - 20P	37-111
1102 5411	Connector - 24P	37-112
1102 5943	Connector - 2P	37-113
1102 6398	Connector - 2P	37-114
1102 6592	Connector - 8P	37-115
1102 7625	Connector - TX24-80R-LT-N1	33-102
1102 7625	Connector - TX24-80R-LT-N1	29-102
1102 7626	Connector - TX25-80P-LT-N1	37-116
1102 7785	Connector - 57RE40360830BD29B	29-103
1102 7785	Connector - 57RE40360830BD29B	33-103
1102 8153	Connector - FCN-568P068-G/05A-V4	29-104
1102 8153	Connector - FCN-568P068-G/05A-V4	33-104

Part No.	Description	Page and Index No.
1102 8299	Connector - 52610-1017	37-117
1102 8329	Connector - Usb - UBB-4R-D14C	33-105
1102 8329	Connector - Usb - UBB-4R-D14C	29-105
1102 8356	Connector - FX2M1B-44P-1.27DSL	33-106
1102 8356	Connector - FX2M1B-44P-1.27DSI	29-106
1102 8357	Connector - 52777-0809	29-107
1102 8357	Connector - 52777-0809	33-107
1102 8829	Connector - DM-1D4-N3210	29-108
1102 8829	Connector - DM-1D4-N3210	33-108
1102 8832	Connector - DM-3D4-B3210	29-109
1102 8832	Connector - DM-3D4-B3210	33-109
1102 8989	Lan Connector	29-110
1104 0588	DIP Socket - 28p	29-111
1104 0588	DIP Socket - 28p	33-110
1104 0764	IC Socket - 8 PIN	37-118
1105 0199	Clamp	23-112
1105 0199	Clamp	25-106
1105 0229	Clamp	5-102
1105 0292	Wire Saddle	25-107
1105 0292	Wire Saddle	21-104
1105 0292	Wire Saddle	23-111
1105 0310	Harness Clamp - LWS-1S	11-104
1105 0310	Harness Clamp - LWS-1S	23-110
1105 0310	Harness Clamp - LWS-1S	25-114
1107 0629	Fuse - 15A - 125V (NA FU1)	25-111
1107 0868	Fuse - 5A 125V (NA FU3)	25-113
1107 0868	Fuse - 5A 125V (NA FU4)	25-109
1107 0877	Fuse - 3.15A 250V (EU FU2)	25-112
1107 0880	Fuse - 6.3A 250V (NA FU2)	25-112
1107 0884	Fuse - 5A 250V (EU FU4)	25-109
1107 0884	Fuse - 5A 250V (EU FU3)	25-113
1204 1542	DIP Switch	29-112
1204 1542	DIP Switch	33-111
1204 2415	DIP Switch - DSS802	37-119
1204 2477	Rocker Switch - AC250V 10A	25-108

Part No.	Description	Page and Index No.
1204 2521	Micro Switch	23-104
1204 2521	Micro Switch	25-105
1400 0688	Transistor - DTC143ZUA	37-120
1401 0821	Diode - 1SS133	29-113
1401 0821	Diode - 1SS133	33-112
1401 0972	Transistor - 2SB1260	37-121
1401 1111	FETY - 2SJ530(S)	37-122
1402 1336	Diode - 1SS355	37-123
1402 1512	Diode - MTZJ16A	37-124
1403 0953	LED - SML-310MT	29-114
1403 0996	LED - SML-310VT	29-115
1403 0996	LED - SML-310VT	33-113
1403 1033	LED - SML-310YT	29-116
1407 2187	TTLIC - SN74LS07NS	37-125
1407 2218	TTLIC - SN74LS06NS	37-126
1407 2219	IC - TD62003AP	37-127
1407 3357	Comparator - BA10393F	37-128
1407 4919	IC - 74VHCT244 TSSOP	33-114
1407 4919	IC - 74VHCT244 TSSOP	29-117
1407 4920	IC - 74VHCT245 TSSOP	29-118
1407 4920	IC - 74VHCT245 TSSOP	33-115
1407 5161	CPU- HD64F2633WF25	37-129
1407 5271	EEPROM - M24C02-BN6	37-130
1407 5274	CMOS Logic - 74LVCH162244A TSSOP	29-119
1407 5274	CMOS Logic - 74LVCH162244A TSSOP	33-116
1407 5275	CMOS Logic - 74LVCHR16245A TSSOP	33-117
1407 5275	CMOS Logic - 74LVCHR16245A TSSOP	29-120
1407 5278	Clock Generator - ICS9148BF-17	33-118
1407 5278	Clock Generator - ICS9148BF-17	29-121
1407 5322	IC - CMOS LOGIC SN74LVC161284DGG	33-119
1407 5322	IC - CMOS LOGIC SN74LVC161284DGG	29-122
1407 5337	CMOS Logic - 74LVCH16373A TSSOP	29-123
1407 5337	CMOS Logic - 74LVCH16373A TSSOP	33-120
1407 5497	RAM - FM1808-120-P	29-124
1407 5497	RAM - FM1808-120-P	33-121

Part No.	Description	Page and Index No.
1407 5523	ROM - I2C SOP 3V	29-125
1407 5555	IC - SN74AHCT126PW	29-126
1407 5555	IC - SN74AHCT126PW	33-122
1407 5674	IC - LVDS DP83846AVHG(A4)	29-127
1407 5678	USB - KL5KUSB200CCFP	33-123
1407 5678	USB - KI5KUSB200CCFP	29-128
1407 5680	CPU - RM5231A-250H-REV1.3	33-124
1407 5680	CPU - RM5231A-250H-REV1.3	29-129
1408 1223	Ditector - RN5VD42C	37-131
1408 1273	IC - RN5VD28A	33-125
1408 1273	IC - RN5VD28A	29-130
1408 1295	IC - UPC2933T	37-132
1408 1398	Detector - RN5VD42A	33-126
1408 1398	Detector - RN5VD42A	29-131
1408 1507	Regulator - PQ05VY3H3Z	33-127
1408 1507	Regulator - PQ05VY3H3Z	29-132
1408 1639	IC - RN5VD14A	33-128
1408 1639	IC - RN5VD14A	29-133
1503 0697	Crystal Oscillator MA-406 20Mhz	37-133
1503 0842	Oscillator - 14.31818MHZ	29-134
1503 0842	Oscillator - 14.31818MHZ	33-129
1503 0959	Crystal Oscillator - 25MHZ	29-135
1601 7752	Resistor Array - 10K Ω \pm 5%	37-134
1601 7752	Resistor Array - 10K Ω \pm 5%	33-130
1601 7752	Resistor Array - 10K Ω \pm 5%	29-136
1601 7760	Resistor Array	33-131
1601 7760	Resistor Array	29-137
1601 7791	Resistor Array - 1K Ω \pm 5%	37-135
1601 7866	Resistor Array - 150 Ω \pm 5%	37-136
1601 7867	Resistor - 33 Ω \pm 5% 1/16W	33-132
1601 7867	Resistor - 33 Ω \pm 5% 1/16W	29-138
1601 7871	Resistor - 68 Ω \pm 5% 1/16W	33-133
1601 7871	Resistor - 68 Ω \pm 5% 1/16W	29-139
1601 7875	Resistor Array - 150 Ω \pm 5%	37-137
1601 7877	Resistor Array 4.7k Ω \pm 5% 1/32W	33-134

Part No.	Description	Page and Index No.
1601 7877	Resistor Array 4.7k Ω \pm 5% 1/32W	29-140
1601 7887	Resistor Array - 10K Ω \pm 5% 1/32W	29-141
1601 7887	Resistor Array - 10K Ω \pm 5% 1/32W	33-135
1601 7898	Resistor Array	33-136
1601 7898	Resistor Array	37-138
1601 7898	Resistor Array	29-142
1601 7985	Resistor Array - 820 Ω \pm 5%	37-139
1604 2427	Capacitor - 220 μ F, \pm 20%, 25V	33-137
1604 2427	Capacitor - 220 μ F, \pm 20%, 25V	29-143
1604 4730	Capacitor - 47 μ F \pm 20% 50V	37-140
1604 4733	Capacitor - 100 μ F \pm 20% 10V	37-141
1604 4802	Capacitor - 330 μ F \pm 20% 35V	29-144
1604 4802	Capacitor - 330 μ F \pm 20% 35V	33-138
1604 4993	Capacitor - 100 μ F \pm 20% 4V	33-139
1604 4993	Capacitor - 100 μ F \pm 20% 4V	29-145
1605 0928	Capacitor - 0.1 μ F 16V \pm 10%	37-142
1605 0971	Ceramic Capacitor	33-140
1605 0971	Ceramic Capacitor	29-146
1605 0976	Capacitor - 1 μ F +80% -20% 10V	37-143
1605 1025	Capacitor - 1000pF \pm 10% 2KV	29-147
1605 1081	Capacitor - 10 μ F +80-20% 25V	37-144
1605 1116	Capacitor - 0.1 μ F \pm 10% 10V	33-141
1605 1116	Capacitor - 0.1 μ F \pm 10% 10V	29-148
1605 1199	Capacitor - 8PF \pm 0.5pF 50V	33-142
1605 1199	Capacitor - 8PF \pm 0.5pF 50V	29-149
1605 1200	Capacitor - 10pF \pm 0.5PF:50V	33-143
1605 1200	Capacitor - 10PF \pm 0.5pF 50V	29-150
1605 1202	Capacitor - 15pF \pm 5% 50V	33-144
1605 1202	Capacitor - 15pF \pm 5% 50V	29-151
1605 1205	Capacitor - 33pF \pm 5% 50V	33-145
1605 1205	Capacitor - 33pF \pm 5% 50V	29-152
1605 1212	Capacitor - 470pF \pm 10% 50V	33-146
1605 1212	Capacitor - 470pF \pm 10% 50V	29-153
1605 1214	Capacitor - 1000pF \pm 10% 50V	33-147
1605 1214	Capacitor - 1000pF \pm 10% 50V	29-154

Part No.	Description	Page and Index No.
1605 1224	Capacitor 4.7 μ F \pm 10% 6.3V	33-148
1605 1224	Capacitor 4.7 μ F \pm 10% 6.3V	29-155
1605 1238	Capacitor - 2.2 μ F \pm 10% 6.3V	33-149
1605 1238	Capacitor - 2.2 μ F \pm 10% 6.3V	29-156
1605 1240	Capacitor - 0.01 μ F \pm 10% 25V	29-157
1605 1240	Capacitor - 0.01 μ F \pm 10% 25V	33-150
1605 1242	Capacitor - 1 μ F \pm 10% 6.3V	33-151
1605 1242	Capacitor - 1 μ F \pm 10% 6.3V	29-158
1607 0551	Inductor - BLM32A07PB	29-159
1607 1014	EMI Filter - BLM11P600SPB	33-152
1607 1014	EMI Filter - BLM11P600SPB	29-160
1607 1019	Filter - ACB1608M-040	33-153
1607 1019	Filter - ACB1608M-040	29-161
1607 1051	Filter - FBMJ2125HS420	29-162
1607 1051	Filter - FBMJ2125HS420	33-154
1607 1076	Filter - MMZ1608Y152B	37-145
1607 1196	Inductor -220uh \pm 20% 0.33A	37-146
1607 1206	Filter - ACC2012I-250	33-155
1607 1206	Filter - ACC2012L-250	29-163
1607 1241	Filter - MMZ1608R102C	37-147
1607 1282	Pulse Transformer - TLA-6T118	29-164
1607 1285	Filter - NFM2012P13C105F	29-165
1607 1285	Filter - NFM2012P13C105F	33-156
1607 1362	Coil - ACM3225-800-2P	33-157
1607 1362	Coil - ACM3225-800-2P	29-166
1610 1409	Chip Resistor - 6.8 Ω \pm 5%	37-148
1610 1489	Chip Resistor - 300oh, \pm 5%	37-149
1610 1506	Resistor - 1K Ω \pm 0.5% 1/16W	29-167
1610 1506	Resistor - 1K Ω \pm 0.5% 1/16W	33-158
1610 1616	Resistor - 330 Ω \pm 0.5% 1/16W	29-168
1610 1616	Resistor - 330 Ω \pm 0.5% 1/16W	33-159
1611 8102	Resistor - 1K Ω \pm 5% 1/4W	37-150
1630 4101	Resistor - 100 Ω \pm 5% 1/16W	37-151
1630 4102	Resistor - 1.0K Ω \pm 5% 1/16W	37-152
1630 4103	Resistor - 10K Ω \pm 5% 1/16W	37-153

Part No.	Description	Page and Index No.
1630 4122	Resistor - 1.2K Ω 5% 1/16W	37-154
1630 4151	Resistor - 150 Ω \pm 5% 1/16W	37-155
1630 4153	Resistor - 15K Ω \pm 5% 1/16W	37-156
1630 4201	Resistor - 200 Ω \pm 5% 1/16W	37-157
1630 4202	Resistor - 2K Ω \pm 5%-	37-158
1630 4222	Resistor - 2.2K Ω \pm 5%	37-159
1630 4302	Resistor - 3.0k Ω - \pm 5% - 1/16W	37-160
1630 4330	Resistor - 33 Ω \pm 5% 1/8W	37-161
1630 4333	Resistor - 33K Ω \pm 5% 1/16W	37-162
1630 4470	Resistor - 470 Ω \pm 5% 1/16W	37-163
1630 4472	Resistor - 4.7K Ω \pm 5% 1/16W	37-164
1630 4681	Resistor - 680 Ω \pm 5% 1/16W	37-165
1630 4821	Resistor - 820 Ω \pm 5% 1/16W	37-166
1632 0000	Resistor - 0 Ω 1/8W	33-160
1632 0000	Resistor - 0 Ω 1/8W	29-169
1634 0000	Resistor - 0 Ω 1/16W	33-161
1634 0000	Resistor - 0 Ω 1/16W	29-170
1634 0000	Resistor - 0 Ω 1/16W	37-167
1634 1002	Resistor - 10 Ω \pm 5% 1/16W	37-168
1634 4301	Resistor - 4.3K Ω \pm 1% 1/8W	37-169
1634 6801	Resistor - 6.8K Ω \pm 1% 1/8W	37-170
1640 1221	Capacitor - 220 μ F \pm 20% 16V	33-162
1640 1221	Capacitor - 220 μ F \pm 20% 16V	29-171
1642 1101	Capacitor - 100 μ F \pm 20% 16V	33-163
1642 1101	Capacitor - 100 μ F \pm 20% 16V	29-172
1650 2750	Resistor - 75 Ω \pm 5% 1/4W	29-173
1650 4100	Resistor - 10 Ω \pm 5% 1/10W	33-164
1650 4100	Resistor - 10 Ω \pm 5% 1/10W	29-174
1650 4101	Resistor - 100 Ω \pm 5%1/10W	33-165
1650 4101	Resistor - 100 Ω \pm 5%1/10W	29-175
1650 4102	Resistor - 1K Ω \pm 5% 1/10W	29-176
1650 4102	Resistor - 1K Ω \pm 5% 1/10W	33-166
1650 4103	Resistor - 10K Ω \pm 5% 1/10W	33-167
1650 4103	Resistor - 10K Ω \pm 5% 1/10W	29-177
1650 4105	Resistor - 1M Ω \pm 5% 1/10W	33-168

Part No.	Description	Page and Index No.
1650 4105	Resistor - 1M Ω \pm 5% 1/10W	29-178
1650 4109	Resistor - 1 Ω \pm 5% 1/10W	33-169
1650 4109	Resistor - 1 Ω \pm 5% 1/10W	29-179
1650 4122	Chip Resistor - 1.2k Ω \pm 5% 1/10W	29-180
1650 4122	Chip Resistor - 1.2k Ω \pm 5% 1/10W	33-170
1650 4123	Resistor - 12K Ω \pm 5%1/10W	37-171
1650 4152	Resistor - 1.5K Ω \pm 5% 1/10W	29-181
1650 4152	Resistor - 1.5K Ω \pm 5% 1/10W	33-171
1650 4153	Resistor - 15K Ω \pm 5% 1/10W	29-182
1650 4153	Resistor - 15K Ω \pm 5% 1/10W	33-172
1650 4229	Resistor - 2.2 Ω \pm 5% 1/10W	33-173
1650 4229	Resistor - 2.2 Ω \pm 5% 1/10W	29-183
1650 4271	Resistor - 270 Ω \pm 5%1/10W	29-184
1650 4300	Chip Resistor - 30 Ω \pm 5% 1/10W	37-172
1650 4303	Resistor - 30K Ω \pm 5% 1/10W	33-174
1650 4303	Resistor - 30K Ω \pm 5% 1/10W	29-185
1650 4330	Chip Resistor - 33 Ω \pm 5% 1/10W	33-175
1650 4330	Chip Resistor - 33 Ω \pm 5% 1/10W	29-186
1650 4331	Resistor - 330 Ω \pm 5%1/10W	33-176
1650 4331	Resistor - 330 Ω \pm 5%1/10W	29-187
1650 4390	Resistor - 39 Ω -5% 1/10W	33-177
1650 4390	Resistor - 39 Ω -5% 1/10W	29-188
1650 4390	Resistor - 39 Ω -5% 1/10W	37-173
1650 4470	Resistor - 47 Ω \pm 5%1/10W	33-178
1650 4470	Resistor - 47 Ω \pm 5%1/10W	29-189
1650 4471	Resistor - 470 Ω \pm 5%1/10W	29-190
1650 4471	Resistor - 470 Ω \pm 5%1/10W	33-179
1650 4472	Resistor - 4.7K Ω \pm 5% 1/10W	29-191
1650 4512	Resistor - 5.1K Ω \pm 5%1/10W	29-192
1650 4512	Resistor - 5.1K Ω \pm 5%1/10W	33-180
1650 4562	Resistor - 5.6K Ω \pm 5% 1/10W	33-181
1650 4562	Resistor - 5.6K Ω \pm 5% 1/10W	29-193
1650 4680	Resistor - 68 Ω \pm 5%1/10W	29-194
1650 4680	Resistor - 68 Ω \pm 5%1/10W	33-182
1650 4683	Resistor - 68K Ω \pm 5% 1/10W	29-195

Part No.	Description	Page and Index No.
1650 4683	Resistor - 68K Ω \pm 5% 1/10W	33-183
1650 4820	Resistor - 82 Ω \pm 5% 1/10W	29-196
1650 4820	Resistor - 82 Ω \pm 5% 1/10W	33-184
1652 4999	Resistor - 49.9 Ω \pm 1% 1/4W	29-197
1652 5499	Resistor - 54.9 Ω \pm 1% 1/4W	29-198
1654 1242	Resistor - 12.4K Ω \pm 1% 1/10W	33-185
1654 1242	Resistor - 12.4K Ω \pm 1% 1/10W	29-199
1654 8200	Resistor - 820 Ω \pm 1%1/10W	29-200
1654 8200	Resistor - 820 Ω \pm 1%1/10W	33-186
1654 9311	Resistor - 9.31K Ω \pm 1% 1/10W	29-201
1660 0100	Capacitor - 10PF \pm 0.5pF 50V	37-174
1660 0100	Capacitor - 10PF \pm 0.5pF 50V	29-202
1660 2101	Capacitor - 100pF - \pm 10% - 50V	37-175
1660 2101	Capacitor - 100pF - \pm 10% - 50V	29-203
1660 2101	Capacitor - 100pF - \pm 10% - 50V	33-187
1660 2220	Capacitor - 22pF \pm 20% 35V	37-176
1660 2221	Capacitor - 220pF +80-20% 50V	37-177
1660 2330	Capacitor - 33pF - \pm 5% - 50V	37-178
1660 2331	Capacitor - 330pF \pm 5% 50V	37-179
1660 2471	Capacitor - 470pF - \pm 5% - 50V	37-180
1660 4102	Capacitor - 1000pF \pm 10% 50V	37-181
1660 4103	Capacitor - 10000pF - \pm 10% - 50V	33-188
1660 4103	Capacitor - 10000pF - \pm 10% - 50V	29-204
1660 4103	Capacitor - 10000pF - \pm 10% - 50V	37-182
1660 4332	Capacitor - 3300pF - \pm 10% - 50V	37-183
1660 7104	Capacitor - 100000pF 50V	37-184
1660 8104	Capacitor - 0.1 μ F +80-20% 25V	37-185
1660 8104	Capacitor - 0.1 μ F +80-20% 25V	29-205
1660 8104	Capacitor - 0.1 μ F +80-20% 25V	33-189
1902 0056	RAM - 256k X870ns G14	37-186
1906 0016	IC - LH28F160BJE-BTL70	29-206
1906 0016	IC - LH28F160BJE-BTL70	33-190
1906 0017	Flash Memory - Lh28f320bj-pbtl70	33-191
1906 0017	Flash Memory - LH28F320BJ-PBTL70	29-207
1907 0017	SDRAM -128M 2MX16X4 100Mhz G2	29-208

Part No.	Description	Page and Index No.
1907 0017	SDRAM -128m 2mx16x4 100mhz G2	33-192

Part No.	Description	Page and Index No.
5353 1803	Wave Washer	21- 3

Part No.	Description	Page and Index No.